

HERSCHEL SUMMIT 2600 HERSCHEL SUMMIT 2600R Ceiling or Wall-mounted Infrared Heaters

INSTALLATION & OPERATING INSTRUCTIONS



TECHNICAL INFORMATION:

Rated Power:	2600W at 230V
Heating Element:	Herschel Kanthal AF
Emitter:	Structured Aluminium surface with Ge IR enhancing coating
Dimensions 2600R:	1450 x 160 x 45 mm (with Remote Controller)
Dimensions 2600:	1400 x 160 x 45 mm (without Remote Controller)
Remote control:	2 power levels (100% & 50%) & 9 hour timer (9 x 1 hour increments)
Warm-up time:	<10 Minutes
Useful wavelength range:	3 - 10µm
Weight:	6.9kg (version without remote; 7.4kg version with remote)
Warranty:	2 Years (excludes remote control)
Protection:	IP65

ELECTRICAL EQUIPMENT:



Waste electrical products should not be disposed of with household waste. Please recycle where facilities exist.

IMPORTANT NOTICE TO PURCHASER:

Before utilizing the product, you should determine the suitability of the product for its intended use. HERSCHEL INFRARED LTD expressly disclaims the implied warranties and conditions of merchantability and fitness for a particular purpose. In no case shall HERSCHEL INFRARED LTD be liable under any legal theory, including but not limited to contract or strict liability, for any direct, indirect special, incidental or consequential damages resulting from product use.



The product complies with Safety Standards EN60335-2-30, RoHS and EMC EN 50336 and EN 62233. These cover the essential requirements of EEC Directives 2006/42/EC, 2011/65/EC and 2004/108/EC.
Original instructions covering SUMMIT 2600 & 2600R produced 052017 onwards.

IMPORTANT SAFETY PRECAUTIONS

READ THESE INSTRUCTIONS CAREFULLY AND RETAIN FOR FUTURE REFERENCE.

Failure to observe these instructions will invalidate the warranty.

This unit may be a source of possible shock.

Do not disassemble. No user-serviceable parts inside.

Source of possible ignition.

WARNING

TO REDUCE THE RISK OF FIRE, ELECTRIC SHOCK OR INJURY:

1. This appliance must be disconnected from its power source during installation or service activities and when replacing.
2. The SUMMIT is not equipped with a device to control the room temperature. If intended for use in an enclosed space for the purposes of room heating, you must use Summit 2600 with Herschel iQ controls. Do not use for room heating when rooms are occupied by people incapable of leaving the room on their own, unless constant supervision is provided. Herschel is not responsible for any breach of EcoDesign and Safety legislation where SUMMIT is used in an enclosed space without use of a Herschel iQ controller.
3. In order to avoid overheating and potential fire hazard, **DO NOT** cover the heater. **DO NOT** cover the heater with insulating material or a similar material under any circumstances.
4. **DO NOT** touch the heater when in use. The Herschel SUMMIT rises to very high temperatures in use. After the heater has been switched off the elements remain hot for a considerable time and the unit should not be touched within 30 minutes minimum.
5. **DO NOT** use the heater if the power cord is damaged. This must be replaced by the manufacturer, its service agent or similarly qualified persons in order to avoid a hazard.
6. **DO NOT** use the heater to ignite materials.
7. This heater must only be used for the heating of people or buildings. The SUMMIT is not to be used by children or persons with reduced physical, sensory or mental capabilities, or lack of experience or knowledge, regardless of whether they have been given instruction or are under supervision. Children should be kept away and should not be left unsupervised around the unit.
8. All operators shall only switch on/off the appliance provided that it has been placed or installed in its intended normal operating position and they have been given supervision or instruction concerning use of the appliance in a safe way and understand the hazards involved. Children shall not plug in, switch on or regulate the appliance or perform user maintenance including cleaning.
9. **IMPORTANT:** Ensure supply voltage does not exceed 245 volts.

SAVE THESE INSTRUCTIONS.

WATER INGRESS PROTECTION:

Herschel SUMMIT is rated to a standard IP65 enabling it to be mounted outdoors and exposed to occasional rainfall. To prolong the life of the heater we recommend installing it where it will be sheltered from the effects of weather. Herschel SUMMIT is not intended for installation in locations that are permanently wet or humid.

Installation in potentially wet or humid rooms such as bathrooms must be carried out by a suitably qualified installer and comply with local electrical safety requirements. Installation must be such that:

- the heater must not be able to become detached from the fittings and fall into a bathtub, shower, swimming pool or other water container;
- Switches and other controls cannot be touched by a person in a bath or shower.

If in doubt, do not install. Herschel Infrared Ltd shall not be liable for any loss, damage or injury caused or resulting from inadequate fitting or incorrect placement of heaters close to water sources.

ELECTRICAL INFORMATION:

Installation must only be carried out by competent persons or a qualified electrician according to national regulations. Wiring must be connected in accordance with the relevant national electrical safety standards and must be earthed. The electrical supply to the unit should be provided by connecting to a circuit protected by a fuse or miniature circuit breaker suitable for the electrical rating of the unit and in accordance with Table 1. An electrical plug may be added by the installer so long as both the plug and electrical supply circuit to be plugged into are appropriately rated according to the requirements of the heater in Table 1 and in

accordance with local regulation. Any plug, sockets and switches intended for use outdoors must have water ingress protection ratings as good as, or better, than the protection rating of the heater (IP65).

Table 1. Electrical Specification

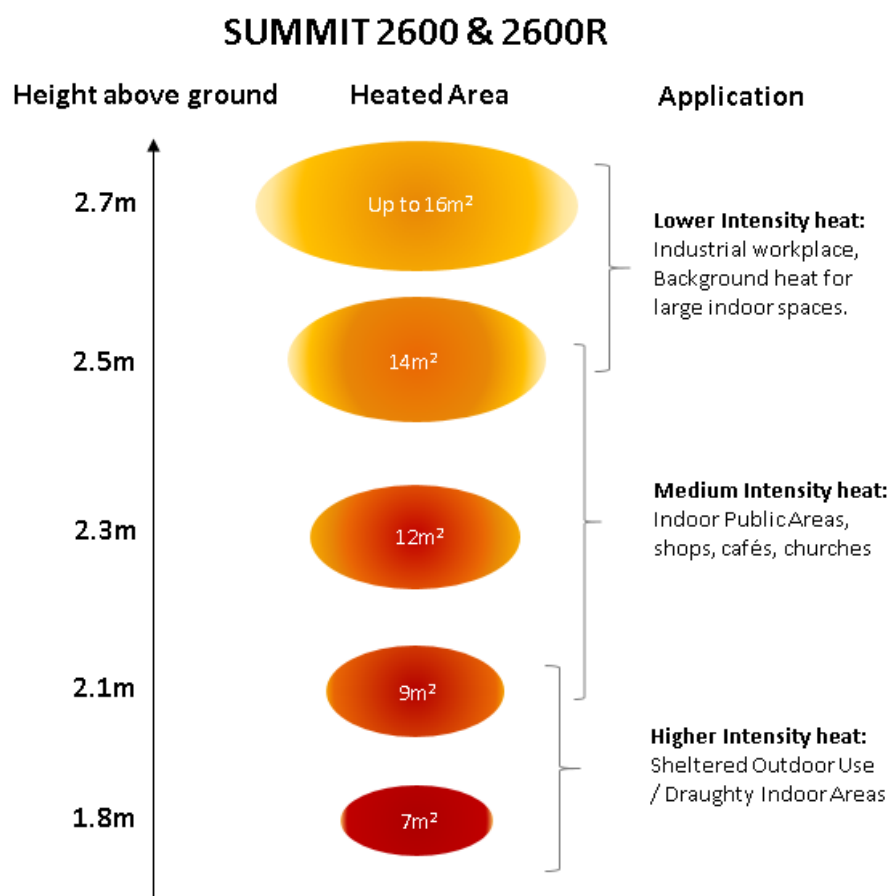
Model	Rated Power	Voltage	Current	Frequency	Fuse (Minimum)
SUMMIT 2600	2600W	230V	11.3A	50/60Hz	13A
SUMMIT 2600R	2600W	230V	11.3A	50/60Hz	13A

The mounting position of the unit must ensure that any mechanical damage to the flexible cable is unlikely. Any exposed flexible cable is to hang down (not tied UP) & must have adequate clearance from the heater to prevent scorching or damaging the cable.

Colour coding used in the supplied mains cable: BROWN wire is to be connected to LIVE ('L'), the BLUE wire to NEUTRAL ('N') and the GREEN/YELLOW wire to EARTH ('E').

MOUNTING POSITION:

Diagram 1. SUMMIT heated area and applications



The Far Infrared heat of SUMMIT is characterised by a consistent, comfortable heat distribution over the heated area.

The zone heated by the SUMMIT will increase in size the higher the heater is installed from the floor, but the warmth experienced from the heater will be lower.

The mounting height and intensity should reflect the intended use of the heater.

Mount the heater at a lower height in areas intended for low physical activity (for example a seating area) or areas subject to airflow (outside or near open doors).

Mount higher where less intense warmth is needed (for example warehouses where workers are active and wear warm clothing).

The Herschel SUMMIT must be located in a position to allow proper and efficient use but one that ensures hot parts are not touched accidentally.

The recommended installation height of the SUMMIT is 2.1m to 2.7m (83"-106") from the floor according to the expected application (see diagram 1). Under no circumstances is the unit to be installed at less than 1.8m (71") from the floor. In all cases it should be installed at a height where it cannot be touched in operation.

Consideration should be given to any temporary or occasional additions such as stages or platforms and adjusted accordingly. For outdoor use, or other areas with air movement/wind the directional Far Infrared spread may reduce by 1/3 to 1/2. In these areas, we recommend mounting at the lowest recommended height and proportionally increasing the number of heaters. Power can also be adjusted with the 2600R model.

Wall/ceiling mount swivel brackets and accessories are provided with the heater which has been specifically designed to allow this product to be fitted to a wall or ceiling with adequate clearances (110mm or 4.3") at the back of the unit. The sides and ends of the heater must be positioned at least 300mm (12") away from the nearest wall or other structure except when multiple heaters are being ceiling recessed (see CAUTION below).

For longer distances from the ceiling, an optional wire suspension kit can be purchased from a recommended supplier. Please contact Herschel for further information.

INSTALLATION:

Diagram 2: Swivel Bracket Assembly

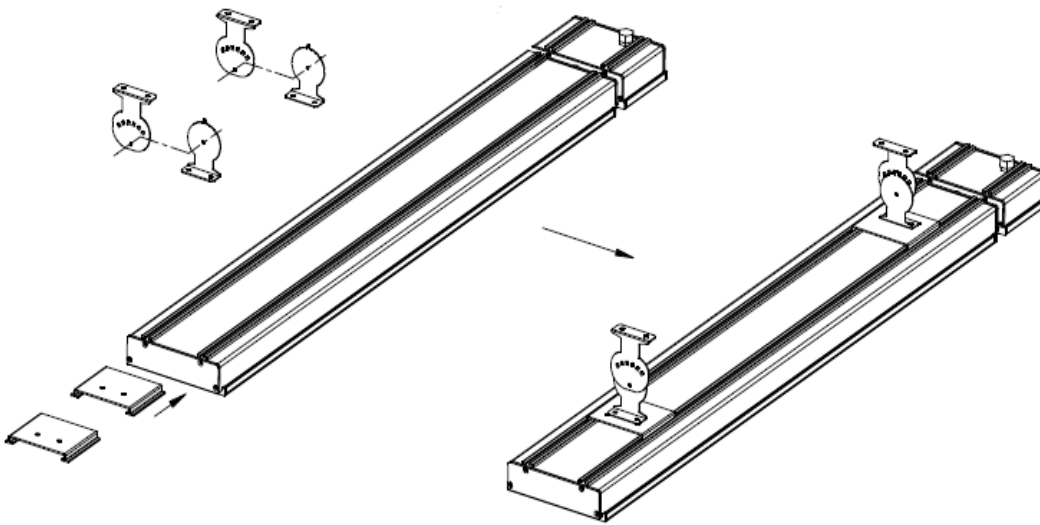
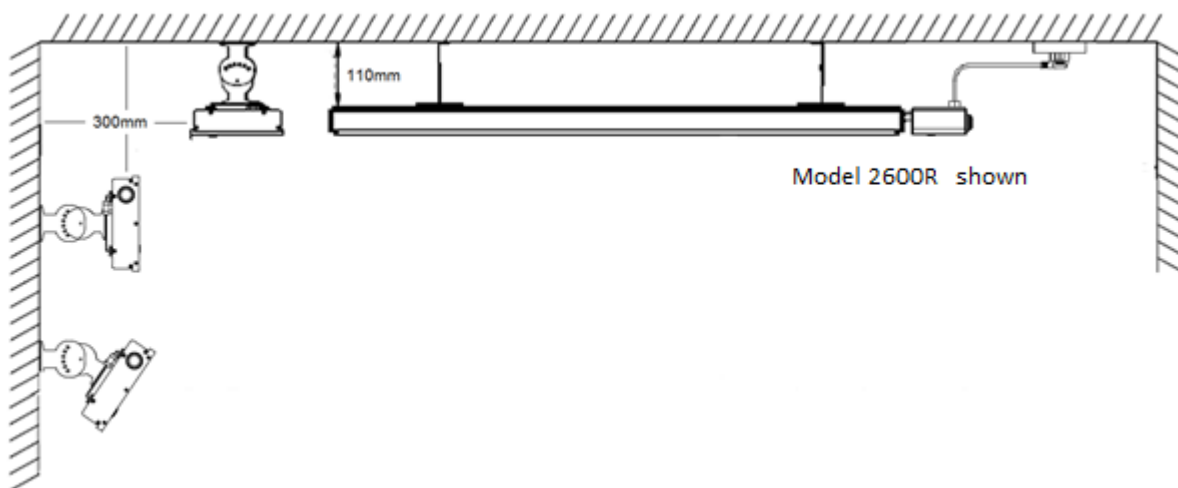


Diagram 3: Mounting options and minimum distances to objects.



⚠ CAUTION:

- Ensure mains power is OFF before commencing installation.
- The supplied mains cable must not contact the top surface of the heater during operation.
- Heater must not be located immediately below a socket outlet. Electrical connections must be made outside of the footprint of the unit to avoid heat build-up. If the heater is to be mounted on an incline (e.g. sloping roof), ensure the electrical connection is located below the lowest end of the heater.
- Joists, beams and rafters shall not be cut or notched to install the appliance.
- This heater is not intended for ceiling-recessed installation.
- The identification mark and model reference should be visible after installation.
- The SUMMIT must not be attached facing or close to any combustible material (eg, wood or PVC cladding, fascia or soffit) or other materials that could blow onto the heater.
- The fixed wiring insulation coming into contact with parts with a temperature rise of greater than 50°C must be protected, for example, by sleeving having an appropriate temperature rating.

OPERATION BY REMOTE CONTROLLER:

The Herschel SUMMIT 2600R is operated from the remote control supplied with the heater. The SUMMIT 2600 has no remote control.

Insert 2 x AAA Alkaline batteries into the remote control.



Remote Control Function			
Button	Function (Heater On)	Function (Heater Off)	LED Display on Heater
1	Turns heater on or off		
2	Increase Heat Level or Timer hours	Turns heater on to Level 1 (minimum)	L1
3	Decrease Heat Level or Timer Hours	Turns heater on to Level 2 (Maximum)	L2
4	Enable Heat Level adjustment		L [n]
5	Enable Timer adjustment		T [n]

1. POWER BUTTON: Turns heater on or off.
2. UP BUTTON: Increases the temperature and timer level.
3. DOWN BUTTON: Decreases temperature and timer level.
4. LEVEL BUTTON: Use to adjust heat levels (L1-L2). Press the Level button then use the up and down buttons (2 and 3) to increase or decrease the heating level.
5. TIMER BUTTON: Use to set the timer from T0 – T9 (0-9 hours). Adjust using buttons 2 & 3 to the number of hours you would like to set.

All Herschel remote controls have the same frequency, so it is possible to control several heaters with just one remote.

INITIAL USE:

Before first use, ensure the emissive (front) surface is free of fingerprints and other contamination before turning on heater for the first time. There may be an odour or vapour from the heater on initial use or if heater has not been used for an extended period. This is normal.

USER MAINTENANCE:

The heater may be wiped-down with a clean damp cloth. Do not use abrasive detergents to clean the unit. In marine environments, the unit may be gently sprayed clean with clean water with the POWER TURNED OFF and completely cool. After cleaning, it is advisable to warm the heater for 10 – 20 minutes to dry the unit and prevent staining.

COMPLIANCE WITH ECODESIGN DIRECTIVE 2009/125/EC:

If SUMMIT is to be used indoors in an enclosed space to reach and maintain a defined temperature level, the Herschel SUMMIT 2600 (non remote) is compliant if used with the appropriate Herschel iQ controller.

The legislation does not apply to SUMMIT 2600 or 2600R intended for use outdoors or for heating indoors in an unenclosed space where this prevents application of EcoDesign regulations.

Herschel is not responsible for any breach of the legislation where the SUMMIT 2600 or 2600R are used for enclosed indoor heating without an appropriate controller.

WARRANTY:



Register your product here:

<https://www.herschel-infrared.com/customer-service/warranty-registration/>

The Herschel SUMMIT is guaranteed against failure due to faulty materials or workmanship for two years from date of purchase*. In the unlikely event of failure of the unit within this time, the unit must be returned to the supplier for repair or replacement. The guarantee is invalid if the correct installation instructions as given in this leaflet have not been adhered to. Refer to Herschel Infrared Ltd's warranty policy for full details. *Excludes Remote Control Unit.

See <https://www.herschel-infrared.com>.

Note your serial number here for future reference:

APPENDIX 1 – ECODESIGN Information for SUMMIT 2600 when used with Herschel iQ

Model Identifier: Herschel SUMMIT 2600 (non remote control version)					
Item	Symbol	Value	Unit	Item	Unit
Heat Output				Type of heat input for electric storage local space heaters only (select one)	
Nominal Heat output	P_{nom}	2.6	kW	Manual heat charge control with integrated thermostat	Not applicable
Minimum heat output (indicative)	P_{min}	2.6	kW	Manual heat charge control with room and/or outdoor temperature feedback	Not applicable
Maximum continuous heat output	$P_{max,c}$	2.6	kW	Electronic heat charge control with room and/or outdoor temperature feedback	Not applicable
Auxiliary Electricity consumption				Fan assisted heat output	Not applicable
At nominal heat output	$e_{l_{max}}$	0	kW	Type of heat output/room temperature control (select one)	
At minimum heat output	$e_{l_{min}}$	0	kW	Single stage heat output and no room temperature control	No
In standby mode	$e_{l_{SB}}$	0	kW	Two or more manual stages, no room temperature control	No
				With mechanical thermostat room temperature control	No
				With electronic room temperature control	No
				Electronic room temperature control plus day timer	No
				Electronic room temperature control plus week timer	YES
Other Control options (multiple selections possible)					
				Room temperature control with presence detection	No
				Room temperature control with open window detection	YES
				With distance control option	No
				With adaptive start control	No
				With Working Time Limitation	No
				With Black Bulb sensor	No