

Herschel iQ Heating Controls

T2 wireless thermostat

Installation and operating instructions



Technical Information

Power supply T2:	2 x AAA Batteries
Installation:	T2: Wall Mounted or free-standing
Setpoint Range:	5-35°C (temperature increments 0.5 °C)
Accuracy:	+/- 0.5 °C
Ambient temperature:	0 - 50 °C
Relative humidity:	85%
T2 Backlight:	White
Sensor:	NTC 10K
Protection Class:	IP20
Housing:	ARC+PC
Wireless:	433Mhz (RF)
Wireless Range:	35m
Programming:	7 day program, 4 periods per day
Energy saving:	Open Window, Adaptive Start Smartlife App Control Works with Alexa and Google Assistant when paired with the SmartLife App
Warranty:	2 years
Certifications:	CE, RoHS, EMC, RED, LOT20

Compliance

Hereby, Herschel Infrared Ltd declares that the radio equipment type T2 Wireless Thermostat is in compliance with Directive 2014/53/EU. The full text of the EU declaration of conformity is available at the following internet address:

<https://www.herschel-infrared-technology-center.com/compliance/>

Safety

Use in accordance with the EU and national regulations. For indoor use only. Keep your device completely dry. This product must be installed by a competent person and in accordance with all the EU and national regulations.



This appliance must be installed outside of the splash zones in bathrooms.

Please read these instructions carefully all the way through before installing & operating. Keep in a safe place.

Description

The Herschel iQ T2 Thermostat & R2 receiver are designed to regulate Herschel Infrared Heaters and incorporate the latest energy-saving features. These include Herschel's open window technology and an adaptive start function ensuring your room is always at the right temperature with the least energy use. When used with wifi you can also regulate your heating remotely using the SmartLife App. SmartLife also allows you to control the system by voice using Alexa or Google Assistant.

The T2 features 7 x 1 day programming as well as Eco and Manual modes. T2 will operate your Herschel heater(s) by turning them ON if the room temperature is lower than the desired temperature and will turn them OFF once the desired temperature is reached or exceeded.

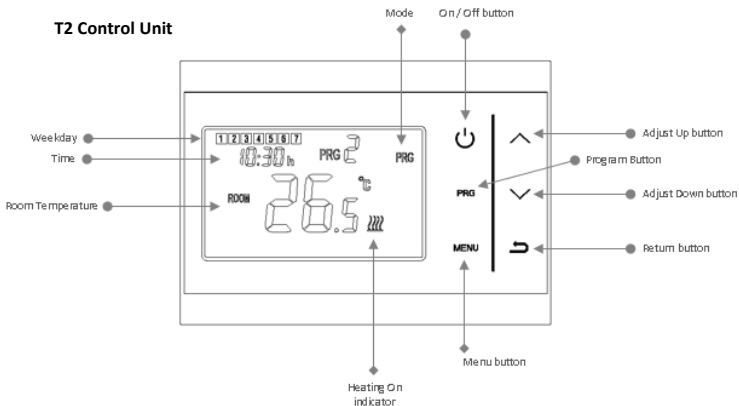
The R2 is the switch that turns your heaters on and off and must be wired to the heaters and mains power. The R2 also acts as the internet gateway for your T2, enabling you to control the system with the SmartLife App.

Each R2 can handle up to 10 amps, so you will need sufficient R2 units to control the overall heating load. If you are in any doubt regarding calculation of heating loads, please consult a qualified electrician. Each R2 must be paired to a T2 to operate correctly. Pairing steps can be found in the instructions for the T2. On its own, the R2 provides only a limited Boost function and has no temperature control capability.

Please read these instructions carefully all the way through before installing & operating. Keep in a safe place.

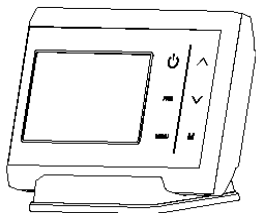
Display & Buttons

T2 Control Unit

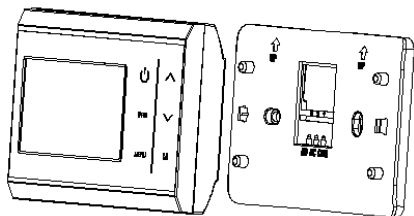


Installation T2

Stand-alone:



Wall-mounted:



Initial setup

1. Insert 2 x AAA batteries into the T2.

Pairing Instructions T2 to R2

For First R2 paired to a T2

- 1) Switch on the R2 using the power button. Confirm LED2 is green.
- 2) Long press the Boost button until LED 1 flickers Red.
- 3) Turn OFF the T2.
- 4) Long press the MENU button until a code appears in the display.
- 5) Tap the MENU button a second time and the code in the display will flash.
- 6) The code in the display will stop flashing and LED 1 on the R2 will stop flickering when pairing is complete.

Note: The first R2 paired to a T2 also becomes its internet Gateway. LED 1 will flash slowly RED until paired with the Smartlife App. The R2 will function under the control of the T2 without SmartLife, but LED 1 will always flash slowly red. The T2 display will indicate if heating is on or off.

To pair additional R2s to a T2

- 1) Switch on the R2 using the power button. Confirm LED2 is green.
- 2) Long press the Boost button until LED 1 flickers Red.
- 3) Turn OFF the T2.
- 4) Long press the MENU button until a code appears in the display.
- 5) Tap the “Up” arrow button once.
- 6) LED 1 on the R2 stops flickering.
- 7) The R2 is now controllable by the T2.

Downloading the Smartlife App

Scan the QR code to download the Smartlife App from the App Store or Google Play.



Alternatively, search “Smart Life” on Google Play or the App Store & look for this icon.



After installing and opening the Smartlife App, you must register an account using an email address and password and accept the terms of use.



Pairing the R2 to the SmartLife App:

Ensure your R2 is within range of your router.

Your mobile phone **MUST** be connected to the 2.4GHz wifi signal issued by your router. The pairing process will not work if you are connected to a 5GHz wifi signal, or to your phone's cellular (e.g. 4G) network.

On the main screen of the SmartLife App:

- 1) Add device by pressing the + button in the top right corner.
- 2) Select "Small Home Appliance" from the menu on the left and select "Thermostat" from the options on the right.
- 3) Check the SSID shown is your network and enter its password.
- 4) Press and hold the BOOST button on the R2 until LED1 rapidly flickers red.
- 5) On the App, press "Confirm indicator rapidly blink".
- 6) Pairing is complete when the Red LED on the R2 stops flashing. The App may continue to search for the connection for a few seconds longer and when finished, will leave you in the management screen for the R2. You can experiment at this point entering commands (e.g. temperature up or down) from the App or the T2 and the R2 will respond a few seconds later.

About the Smartlife App

The Smartlife App is constantly evolving and future versions may have some differences to these printed instructions which were correct at time of printing. You can always find the most up to date version of the instructions by checking the T2 / R2 product pages on the Herschel website, where there is a link to the most up to date instructions.

Clearing all pairing

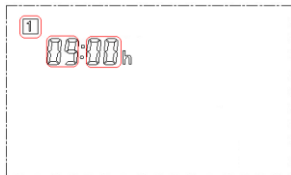
To use R2s with a different T2, clear all pairing by pressing the Power button and BOOST button together on the R2 for 5 seconds. LED1 and LED2 will both switch on and will switch off when you release your fingers.

Signal lost

If the R2 loses wifi connection, LED 1 will flash red slowly. It will continue to work with the T2, but the LED will continue to flash red slowly.

Time & Day setting

1. Turn T2 on.
2. Press the MENU button for 3 seconds until the minutes display flashes. Press the Up or Down arrow buttons on the display to change the value (each press = 1 minute).
3. Press the MENU button again to change the hour display.



Press the Up or Down arrow buttons to change the value (each press = 1 hour). This is a 24 hour clock.

4. Press the MENU button again to change the day. Press the Up or Down arrow buttons to select 1 – 7 for Monday – Sunday (so 1 is Monday, 2 is Tuesday etc).
5. Press the Return button once you have selected the right day.

Mode Selection and settings

The T2 has 3 operating modes: Manual, ECO and Program Mode. Select Manual if you want to set and maintain one temperature all the time. Select ECO to economise on heat (e.g. if you are away), and select Program Mode when you want the thermostat to adjust the temperature according to the time of day or day of the week.

The Manual mode is displayed as a ☀ symbol (e.g. 25.5° C)

The Eco mode is displayed as a 🌙 symbol (e.g. 20.5° C)




MANUAL



ECO

To set Mode temperature:

- Press the MENU button, the Manual Mode temperature symbol ☀ will be displayed. Change the temperature using the Up and Down buttons. "SET" is displayed indicating you have changed the setting.

- Press MENU again to display the ECO mode  temperature. Change the temperature using the Up and Down buttons. "SET" is displayed indicating you have changed the setting.
- Return to the main page by pressing the Return button.

To select a mode at any time, press the MENU button. This selection will override the schedule or current temperature setpoint. For example, by selecting Eco mode (using the MENU button) the T2 can maintain a lower holiday temperature setting until another mode is selected.

Program Mode

The T2 has a 7 x 1 day timer (Monday to Sunday) with 4 periods per day. Set period 1 as the first temperature of the morning, period 2 is the fallback temperature for the daytime. Period 3 is the temperature required for the evening and period 4 is the overnight temperature.

Unlike conventional heating, Herschel Far infrared directly heats the room (the "Thermal Mass"). For areas in frequent use it is more economical to avoid temperatures dropping too low as the heater will need to be on for a much longer period to restore temperatures. We recommend overnight setback temperatures of no lower than 14° C and daytime temperatures of 16° C and above.

To select Program Mode press MENU until PRG is displayed as the mode. The schedule will then operate until another mode is selected.

	All days
Period 1	0630 21°C
Period 2	0800 18°C
Period 3	1800 21°C
Period 4	2230 16°C

To alter this schedule:

- Press the PRG button for 3 seconds to start the 7 x 1 day program setting. The First period of the First day is selected.
- Press the Up or Down button to change the time of the first period of the day's program.
- Press PRG again to move to the temperature setting of the first period and use the Up and Down buttons to adjust the temperature.

- Press PRG again to move to the second period of the first day's program. Repeat the above procedure to finish setting the other periods of the first day's program.
- Press PRG again to move to the first period of the second day.
- Once setup is complete, press Return to get back to the main display.

Temperature can always be overridden manually by pressing the Up and Down buttons. The temperature will remain at this setting until the next programmed change occurs. For example, using the default schedule in the previous table, if it was 18:00 on a Monday the thermostat would be set to 20° C. If you wished to increase the temperature to 21° C, press the Up button to increase temperature to 21° C. The thermostat would then retain this setting until 23:00 when the period 4 schedule would reduce the set temperature to 16° C.

Parameter Settings

The T2 has several special operating parameters you can set, these are:

Temperature Calibration to adjust the unit to compensate temperature up or down by up to 8° C. For example if you have another control in the room which reads differently from the T2, or if you have to place the T2 close to the radiator and don't want to have the

T2 stop the heat before the rest of the room has warmed up (negative adjustment needed). Or perhaps the T2 is placed in a cold area (e.g by a window) and you want the T2 to stay on less so the rest of the room does not overheat (positive adjustment needed).

Open Window on / off

Open Window is an energy saving feature. When the room temperature is 14° C and above, if the thermostat senses a fall in temperature of 2° C or more within a 15 minute period, the T2 will turn off the heater(s) for one hour and "OP" will show in the display. This is to avoid wasting electricity where a window or door is likely to have been opened. Whilst you can always override this by adjusting the temperature Up or Down or pressing the BOOST button on the R2, you can also switch off the function totally (see how to change the Parameter Settings below).

Adaptive Start

Adaptive Start is another energy saving feature designed to smooth-out heating consumption when large jumps in temperature exist between the current set temperature and the next scheduled temperature (implies large energy use). Herschel's adaptive start function will compare the currently sensed temperature against the next scheduled setpoint and if the difference is more than 5° C it will start the heater earlier. You can use Parameter Settings to turn off Adaptive start totally.

How change Parameter Settings:

Menu	Description	Range	Default
01	Temp. calibration	-8 °C / +8 °C	0°C
02	Open Window	0:Off 1:On	1
03	Adaptive start	0:Off 1:On	On
04	Software info.	-	-
05	Software info.	-	-

- Turn off the T2.
- Press MENU and UP button together for 6 seconds. This brings up each available parameter in turn as shown in the table.

Each parameter is changed by pressing the Up or Down button and the next parameter selected by pressing MENU.

Failsafe Mode

If the R2 loses connection with the wifi, it is still controllable locally via the T2. (The Red LED 1 will flash slowly while the wifi signal is lost).

If the R2 loses connection with the T2 it remains in its current setting. (The Red LED 1 will flash slowly while the RF signal is lost).

2 Year Warranty

Register your product at the Help & FAQs section of your local Herschel website..

Within two years from date of purchase Herschel will repair or replace the T2 where the fault is due to defects in materials or workmanship. This warranty is for standard domestic use only and excludes commercial uses. In the event of a warranty claim please visit the Customer Service area of the Herschel Website and follow the Warranty Claim process. You will need proof of purchase.

Note your serial number here.