

Select under desk heater

Smart infrared panel heaters



- EN INSTALLATION & OPERATING INSTRUCTIONS
- FR INSTRUCTIONS D'INSTALLATION ET D'UTILISATION
- DE INSTALLATIONS- & BEDIENUNGSANLEITUNG
- NL INSTALLATIE- EN BEDIENINGSINSTRUCTIES
- IT ISTRUZIONI PER L'INSTALLAZIONE E L'USO
- ES INSTRUCCIONES DE INSTALACIÓN Y FUNCIONAMIENTO

MODELS COVERED BY THIS MANUAL:

- HS220UD
- HS220UD-EU

Notice to the purchaser

Before using this product, you should determine its suitability for its intended use. Herschel Infrared Ltd cannot accept responsibility for damage, loss or injury caused by ingress of water or moisture, accidental damage, mishandling, external impact, adjustment by unauthorised personnel or failure to follow the correct maintenance and safety precautions as stated in this manual. Refer to Herschel Infrared Ltd's warranty policy for full details. See <https://www.herschel-infrared.com>.

The product complies with European Safety Standards Low Voltage Directive 2014/35/EC, EMC Directive 2014/30/EC, RoHS 2011/65/EC & Ecodesign requirements for local space heaters 2009/125/EC.
Original instructions covering Select under desk heaters produced from 08/2020 onwards



Serial Number:

IMPORTANT SAFETY PRECAUTIONS

Failure to observe these instructions will invalidate the warranty.
Do not disassemble. No user-serviceable parts inside.



WARNING

TO REDUCE THE RISK OF FIRE, ELECTRIC SHOCK OR INJURY

This appliance must be disconnected from its power source during setup or service activities and when replacing.

The heater is equipped with a sensor providing temperature control of the unit and the surrounding area. Nevertheless the panel surface can rise to 90°C / 194°F (depending upon input voltage) and must not be operated in locations where people can fall or become immobile next to the heater.

DO NOT touch the heater when in use. Prolonged contact with the heater will cause burns and injury.

The heater has internal safety thermal cut out sensors. However, in order to avoid overheating and potential fire hazard, **DO NOT** cover the heater under any circumstances. **DO NOT** locate the heater within 300mm of any flammable materials (eg. Furniture, curtains).

DO NOT operate the heater if the cord or plug is damaged or after the heater malfunctions, or if it has been dropped or damaged in any manner. Make sure that the heater itself, the plug and the cable are free of any visible signs of damage. If the cord is damaged the appliance must be sent for repair to an authorised Herschel Dealer.

This heater must only be used for the heating of people or buildings. The heater is not to be used by children or persons with reduced physical, sensory or mental capabilities, or lack of experience or knowledge. Children should be kept away and should not be left unsupervised around the unit. **DO NOT** use outdoors.

All operators should only switch on/off the appliance provided that it has been placed or installed in its intended operating position in accordance with these instructions. Children must not plug in, switch on or regulate the appliance or perform user maintenance including cleaning.

The heater must be mounted on a non-flammable surface. To avoid the heater tipping over the surface must be horizontal, even and un-broken.

DO NOT place this heater directly underneath mains sockets.

Herschel panels are designed for use with an AC voltage between 220-240 volts, 50 Hz AC. If your supply voltage exceeds 240 Volts do not use the heater and refer to your local dealer. Failure to adhere to this will void the warranty.

This heater is a Class 1 appliance and must be earthed. The electrical supply to each heater should be protected by a fuse or residual current device with overcurrent protection (RCBO) or Ground Fault circuit interrupter (GFCI) suitable for the electrical rating of the appliance.

For certain public buildings like schools and care homes the heaters must be operated according to the specific legislation for these types of buildings. Please check before use.

CAUTION

Any fixed mains wiring outside the heater coming into contact with the heater must be protected by sleeving with a temperature rating of at least 90°C.

Ensure that the power cable is not coiled. DO NOT attach excess mains cable to any part of the heater.

DO NOT drill through the heater as this will cause irreparable damage and is also dangerous.

DO NOT connect a heater that is damaged in any manner to the power network.

For mounting the Herschel heater use the supplied feet only and install in accordance with this installation guide.

WATER INGRESS PROTECTION IP20

Herschel Select under desk heater panels are rated to a standard (minimum) IP20. DO NOT place within the immediate surroundings of a bath, shower. It must not be possible for the switches on the heater to be operable by anyone in a bath or shower. NEVER operate the foot switch with wet feet. It must not be possible for the heater to be moved or knocked so as to fall into a bathtub, shower, swimming pool or other water container. DO NOT allow the mains cable or foot switch to rest in water.

Herschel Infrared Ltd shall not be liable for any loss, damage or injury caused or resulting from inadequate fitting or incorrect placement of heaters close to water sources.

SAVE THESE INSTRUCTIONS.

5 YEAR WARRANTY

Register your product here <https://www.herschel-infrared.co.uk/customer-service/warranty-registration/>.

Within five years from date of purchase Herschel will repair or replace the heater where the fault is due to defects in materials or workmanship. This warranty is for standard domestic use only and excludes commercial uses. In the event of a warranty claim please visit the Customer Service area of the Herschel Website and follow the Warranty Claim process. You will need proof of purchase and photographs of the heater.

A prerequisite for validity of the warranty is use at the specified supply voltage of the heater and use in accordance with the conditions specified in this manual. Any further warranty or claims are excluded.

The warranty covers the repair or replacement of the defective product only and Herschel shall have no liability for installation costs or consequential losses however incurred. The decision to repair or replace will rest solely with Herschel and any replacement will be as close as possible in specification to the failed heater.

Removing the serial number will void the warranty. The warranty will also be void if the heater has been tampered with or opened in any way.

The product power label must be left on the panel.

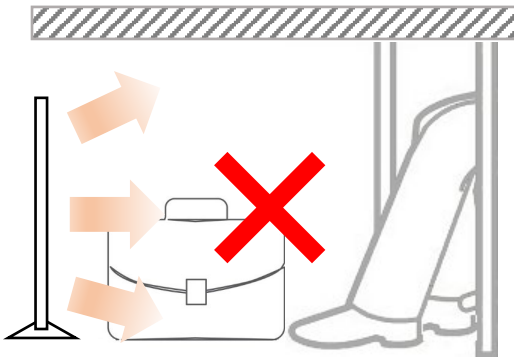
Herschel Infrared Ltd will assume no responsibility for scratches on the surface after first use.

Your new Herschel Heater

Thank you for purchasing a Herschel Select under desk heater infrared heater. Incorporating the very latest in control with Herschel's SMART-R system and slimline frameless design, you will enjoy many years of low energy, smart and comfortable heating.

We've tried to make setting up and using your heater as easy as possible. Please read these instructions fully and retain for future reference. If you have any questions our website also has many FAQs or you can call, message or online chat with us, we are always happy to help ensure that you get the most from your new Herschel heating system.

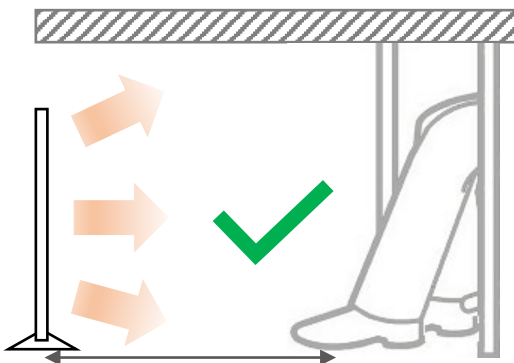
Positioning your under desk heater



This is a low energy use infrared panel heater. It is designed to provide a gentle warmth for your legs and feet under a desk or in close proximity to you.

It is intended as a supplementary heater, not as the main heat source for a room.

Place the heater where it will not be immediately obstructed by objects (like bags or folders under a desk) or where it cannot effectively radiate out, such as at the edge or in the corners of a room. Large objects placed in front of the heater will heat up and can prevent effective heat dispersion.

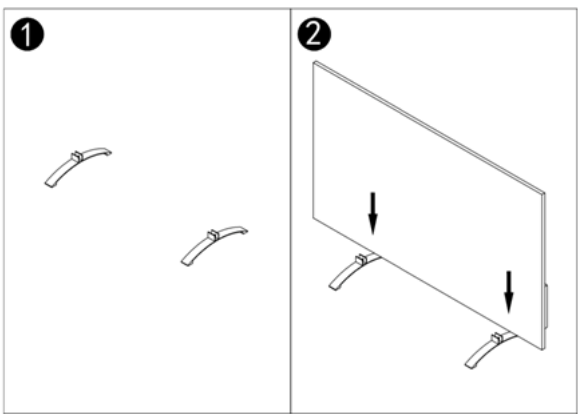


The heater must be placed on horizontal, even and unbroken surface.

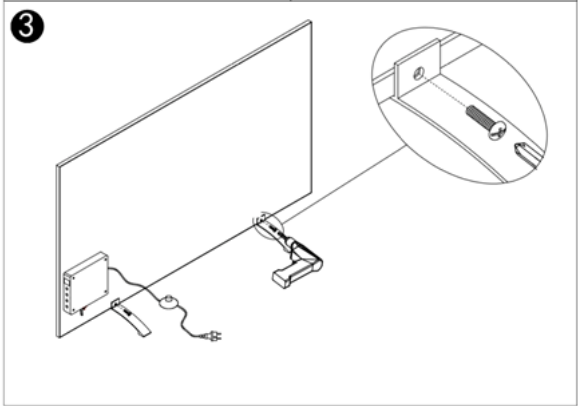
The feet supplied with the heater must be used and provide the correct distance for the heater from the floor and any rear surface (like a wall or the back of a desk). The heater must be at least 300mm from objects placed in front.

300mm minimum distance from objects

Setup



1. Find the two feet supplied in the package.
2. Fit to the long lower side of the heater. The SMART-R power box at the back of the panel should be at the bottom edge of the heater.
3. Use a screw driver to tighten the friction screws against the rear surface of the heater. (Note: tightening the screws against the front will damage the front surface of the heater).

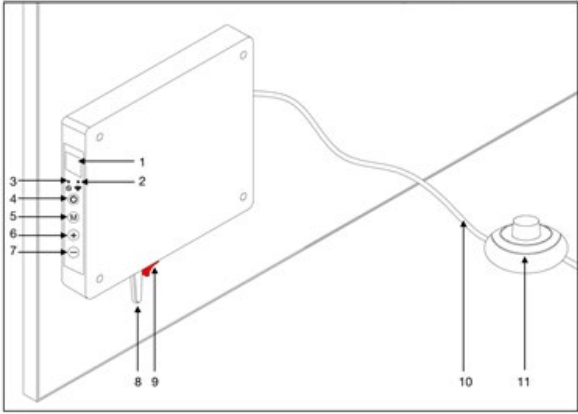


The Select under desk heater comes with a factory fitted plug and can be plugged into an available socket under the desk.

The SMART-R receiver allows your under desk heater to operate in two different ways according to preference:

- It can act in a simple “on / off” mode using the foot control;
- It can connect to wifi and be managed via the SmartLife App.

Controls on the SMART-R receiver are as follows:



1. LED display showing setpoint temperature
2. Wifi indicator
3. Timer On/Off indicator
4. On / Off button
5. Manual pairing button
6. Manual Temperature Increase
7. Manual Temperature Decrease
8. Built-in Thermostat. Pull gently downwards to sense the temperature around the heater.
9. Power Switch (I = On, O = Off)
10. Mains cable
11. Foot Switch.

Operation

Simple On / Off operation using Foot Switch

The heater can be simply operated using the foot switch.

ECODESIGN Notice:

When used in this simple operating mode, the Select under desk heater should only be used in well insulated spaces for occasional use and should not be left operating permanently switched on.

Operation

To use the heater with the foot switch:

Pull the thermostat (8) gently out from the bottom of the SMART-R box until it stops.

Switch the mains socket ON.

Switch the Power Switch (9) on ('I' position on rocker switch).

Click the foot switch until the Power Switch (9) illuminates RED.

The heater will warm up until it senses the local temperature of 37°C is reached at which point it will switch off.

You can lower the set temperature using the – button on the side of the SMART-R receiver. You can only raise the temperature (using the + button) to 37 °C.

You can switch the heater off and back on immediately using the foot switch.

Heater control using the Smartlife App

The Select under desk heater can be more comprehensively controlled using the SmartLife App. This allows you to set a heating schedule including an AWAY (Holiday) mode and enables voice control via Alexa or Google Assistant. You can still also operate the foot switch to turn the heater off and on.

ECODESIGN Notice:

When used with the SmartLife App, the Select Under Desk Heater is fully ECODESIGN compliant and can be permanently set up and left switched on.

Downloading & Installing the Smartlife App

Scan the QR code below to download the Smartlife App from the App Store or Google Play.

Alternatively, search “Smart Life” on Google Play or the App Store & look for this icon. 



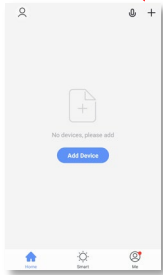
After installing and opening the Smartlife App, you must register an account using an email address and password and accept the terms of use.

Before starting pairing, please ensure:

- Your mobile phone is connected to the 2.4GHz wifi signal from your router. Some routers also issue a 5GHz signal, so be sure to select the 2.4GHz option.
- Switch off “Wifi Assist” (iOS phones). You can switch it back on after pairing.
- Be sure to be connected to your main router and ensure your heater is within range of your router.

Pairing

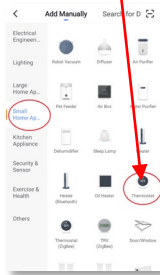
Tap '+' top right of App



If this is your first thermostat you are adding you will be asked to enter your Wifi password.

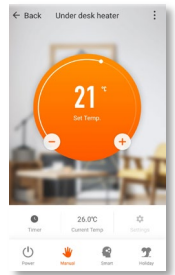
You will not have to do this when you add subsequent thermostats to the App.

Select "Small Home Appliances" and then "Thermostats"



Activate the Power switch on the heater and then press the foot switch until the power signal light is on, the Wi-Fi pairing indicator will start to flash rapidly.

Follow the instructions on the App to pair.



If you failed to pair, click "Retry" in SmartLife App. Long press the "M" button (5) on the control box to reset the pairing mode of the heater, following the directions in the SmartLife App.

In situations where several wifi connections are available and the heater fails to find the right router connection, we recommend you try the Alternative Pairing mode offered by the SmartLife app. This is an option offered by the App if normal pairing mode fails.

More detailed help is available online via the Help & Support section of your local Herschel Website.

Operations available on the SmartLife App

From the main screen of the Smartlife app, you can access the following management features for the heater, which are described more fully on the following page:

- Power On / Off (turns the heater on and off)
- Temperature override (Orange circle with + and – buttons)
- Manual Operation
- "Smart" Operation (Program Mode)
- Holiday Mode
- Settings
- Timer

Changing Network / disabling Wifi

You can move the heater to a new network if you need to. You will have to re-pair with the SmartLife app.

You can also de-activate and re-activate Wifi and revert to simple foot switch control. Long press the '2' button on the receiver for 10 seconds to de-activate (blue Wifi LED goes out) and re-activate wifi (blue LED comes back on).

Explanation of operating modes

Smart mode

Your Herschel Select under desk heater works most efficiently when it is set up to run against a program controlled by the SmartLife App. This program will always ensure your heater reaches the temperature you want at the time you want it, each day of the week. This is represented by the “Smart” function on the App. So usually you will want to set up and run the heater in Smart mode. To enable Smart mode touch the “Smart” icon on the App main screen and alter the program settings in “Settings”.

Manual mode

Selecting Manual mode allows you to set and maintain a constant temperature that does not vary with the time of day. Once you set a temperature using Manual mode, the under desk heater will maintain this temperature until you give it another command. Select Manual mode by touching the “Manual” icon on the App main screen and alter the temperature up or down using the + and – buttons.

Override

You can always override the Programmed or Manual set temperatures to be higher or lower by using the + or – keys on the App main screen to change the temperature. When operating on Smart mode, the heater will maintain the override temperature until the next programmed period (when the next programmed temperature will be set). Under Manual mode, the override temperature will remain set until you change it again manually.

Holiday Mode

There is also a Holiday mode which allows you to save energy by setting a lower temperature while you are away. The Holiday mode has a day-counter feature allowing you to set the number of days you are away and return the heating to normal operation ahead of your return.

Select Holiday mode by touching the “Holiday” icon on the App main screen. Select Days away using the slider and set your holiday temperature using the + or – buttons. We recommend ending holiday mode at least one day before your return to allow your house to warm back up again.

Settings

“Settings” on the App allow you to change the Smart mode program schedules and temperatures.

Timer

A timer function is available in 24 x 1hour increments. This turns the heater on for the specified number of hours. The heater will only heat to the setpoint temperature.

Device Details

You can alter other details about your under desk heater including enabling Alexa or Google Assistant or sharing control of your device with other members of your family by tapping the pencil icon at the top right of the App main screen.

If you begin to use Smartlife to control other Home Automation devices, then you can also integrate your heater control with other home automation tasks that you set up in SmartLife from the Device Details screen.

NOTE:

When restarting the heater after it has been switched off for any length of time, please give the heater time to reconnect with your router before operating via the app. This can sometimes take a few minutes.

Cleaning and maintenance



General

Please note it is possible the heater may discolour with use – this is caused by airborne pollution and is not a fault.

The heater is designed to last many years and incorporates several safety features, but if the heater has not been used or installed in adherence to these instructions, emits any noise, smell, or shows rapid discolouration of the surface, discontinue using the heater and refer to Herschel Customer Service or your local Herschel dealer.

The Herschel panel must be installed, uninstalled, cleaned or transported only when cold.



Painting

The Select Under desk heater can be painted to match décor using a suitable heat resistant paint. However, Herschel will not be responsible if the paint deteriorates or discolours. Any rights to return the heater for a refund within statutory periods will be voided where the heater has been painted. Painting the panel will not affect your warranty for repair or replacement.



Cleaning

Before attempting to clean the panel, unplug the heater, isolate the unit from the electrical supply and allow it to completely cool down.

DO NOT immerse the Herschel panel heater in water or splash water onto it.

Clean the heater with a damp cloth. For glass models glass cleaner can be used. Never use a wet cloth. When clean, dry the surfaces with a dry cloth.

DO NOT apply abrasive materials, solvents or solvent wipes to the surface as this can cause irreparable damage. Wait until the unit is completely dry before use.



Repair

DO NOT attempt to repair or adjust any electrical or mechanical functions on this unit, doing so will void your warranty. Repairs must only be carried out by Herschel or an authorised Herschel service partner.



Disposal

The heater is an electrical product and must not be disposed of in household waste. A high percentage of the heater can be recycled. Please treat as electrical waste and recycle in accordance with local regulations.



PRÉCAUTIONS DE SÉCURITÉ IMPORTANTES

Le non-respect de ces instructions annulera la garantie.

Ne pas désassembler. Aucune pièce réparable par l'utilisateur à l'intérieur.



ATTENTION

POUR RÉDUIRE LE RISQUE D'INCENDIE, DE CHOC ÉLECTRIQUE OU DE BLESSURE

Cet appareil doit être débranché de sa source d'alimentation pendant les activités de configuration ou de service et lors du remplacement.

L'appareil de chauffage est équipé d'un capteur permettant de contrôler la température de l'unité et de la zone environnante. Néanmoins, la surface du panneau peut monter jusqu'à 90 °C / 194 °F (selon la tension d'entrée) et ne doit pas être utilisé dans des endroits où des personnes peuvent tomber ou s'immobiliser à côté du radiateur.

NE PAS toucher le radiateur lorsqu'il est en cours d'utilisation. Un contact prolongé avec le radiateur causera des brûlures et des blessures.

L'appareil de chauffage est doté de capteurs de sécurité thermique internes. Cependant, afin d'éviter une surchauffe et un risque d'incendie potentiel, **NE** couvrez en aucun cas l'appareil de chauffage. **NE PAS** placer le radiateur à moins de 300 mm de tout matériau inflammable (par exemple, meubles, rideaux).

NE PAS faire fonctionner le radiateur si le cordon ou la fiche est endommagé ou après un dysfonctionnement du radiateur, ou s'il est tombé ou endommagé de quelque manière que ce soit. Assurez-vous que le radiateur lui-même, la fiche et le câble ne présentent aucun signe visible de dommage. Si le cordon est endommagé, l'appareil doit être envoyé pour réparation à un revendeur Herschel agréé.

Cet appareil de chauffage ne doit être utilisé que pour le chauffage de personnes ou de bâtiments.

L'appareil de chauffage ne doit pas être utilisé par des enfants ou des personnes ayant des capacités physiques, sensorielles ou mentales réduites, ou un manque d'expérience ou de connaissances. Les enfants doivent être tenus à l'écart et ne doivent pas être laissés sans surveillance autour de l'unité.

NE PAS utiliser à l'extérieur.

Tous les opérateurs ne doivent allumer/éteindre l'appareil que s'il a été placé ou installé dans sa position de fonctionnement prévue conformément à ces instructions. Les enfants ne doivent pas brancher, allumer ou régler l'appareil ou effectuer l'entretien par l'utilisateur, y compris le nettoyage.

L'appareil de chauffage doit être monté sur une surface non inflammable. Pour éviter que l'appareil de chauffage ne bascule, la surface doit être horizontale, plane et non brisée.

NE PAS placer ce radiateur directement sous les prises de courant.

Les panneaux Herschel sont conçus pour être utilisés avec une tension alternative comprise entre 220 et 240 volts, 50 Hz AC. Si votre tension d'alimentation dépasse 240 volts, n'utilisez pas le radiateur et consultez votre revendeur local. Le non-respect de cette consigne annulera la garantie.

Cet appareil de chauffage est un appareil de classe 1 et doit être mis à la terre. L'alimentation électrique de chaque appareil de chauffage doit être protégée par un fusible ou un dispositif à courant résiduel avec protection contre les surintensités (RCBO) ou un disjoncteur de fuite à la terre (GFCI) adapté à la puissance électrique de l'appareil.

Pour certains bâtiments publics comme les écoles et les maisons de soins, les appareils de chauffage doivent être exploités conformément à la législation spécifique à ces types de bâtiments. Veuillez vérifier avant utilisation.

Mise en garde

Tout câblage secteur fixe à l'extérieur de l'appareil de chauffage entrant en contact avec l'appareil de chauffage doit être protégé par une gaine avec une température nominale d'au moins 90 °C.

Assurez-vous que le câble d'alimentation n'est pas enroulé. NE PAS attacher l'excès de câble d'alimentation à aucune partie du radiateur.

NE PAS percer à travers le radiateur car cela causera des dommages irréparables et est également dangereux.

NE PAS connecter un radiateur endommagé de quelque manière que ce soit au réseau électrique.

Pour le montage du radiateur Herschel, utilisez uniquement les pieds fournis et installez-le conformément à ce guide d'installation.

PROTECTION CONTRE LES infiltrations d'eau IP20

Les panneaux chauffants Herschel Select sous bureau sont conformes à la norme (minimum) IP20. NE PAS placer à proximité immédiate d'un bain ou d'une douche. Les interrupteurs de l'appareil de chauffage ne doivent pas pouvoir être actionnés par quiconque dans un bain ou une douche. NE JAMAIS utiliser la pédale de commande avec les pieds mouillés. L'appareil de chauffage ne doit pas pouvoir être déplacé ou heurté de manière à tomber dans une baignoire, une douche, une piscine ou un autre réservoir d'eau. NE PAS laisser le câble d'alimentation ou l'interrupteur au pied reposer dans l'eau.

Herschel Infrared Ltd ne sera pas responsable des pertes, dommages ou blessures causés ou résultant d'un montage inadéquat ou d'un placement incorrect des appareils de chauffage à proximité de sources d'eau.

CONSERVEZ CES INSTRUCTIONS.

GARANTIE DE 5 ANS

Enregistrez votre produit ici <https://www.herschel-infrarouge.fr/service-clients/enregistrement-garantie/> .

Dans les cinq ans à compter de la date d'achat, Herschel réparera ou remplacera l'appareil de chauffage lorsque le défaut est dû à des défauts de matériaux ou de fabrication. Cette garantie est pour un usage domestique standard uniquement et exclut les utilisations commerciales. En cas de réclamation au titre de la garantie, veuillez visiter la section Service client du site Web Herschel et suivre le processus de réclamation au titre de la garantie. Vous aurez besoin d'une preuve d'achat et de photographies de l'appareil de chauffage.

Une condition préalable à la validité de la garantie est l'utilisation à la tension d'alimentation spécifiée de l'appareil de chauffage et l'utilisation conformément aux conditions spécifiées dans ce manuel. Toute autre garantie ou réclamation est exclue.

La garantie couvre uniquement la réparation ou le remplacement du produit défectueux et Herschel n'assumera aucune responsabilité pour les coûts d'installation ou les pertes indirectes, quelle qu'en soit la manière. La décision de réparer ou de remplacer appartiendra uniquement à Herschel et tout remplacement sera aussi conforme que possible aux spécifications de l'appareil de chauffage défaillant.

La suppression du numéro de série annulera la garantie. La garantie sera également annulée si le radiateur a été altéré ou ouvert de quelque manière que ce soit.

L'étiquette d'alimentation du produit doit être laissée sur le panneau.

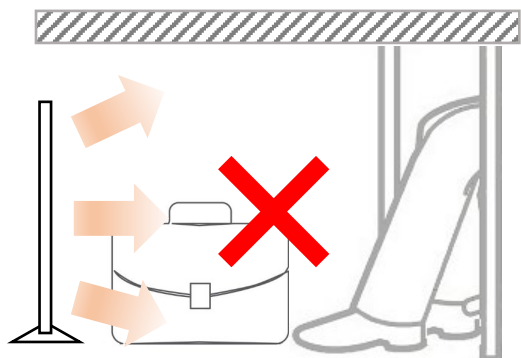
Herschel Infrared Ltd n'assumera aucune responsabilité pour les rayures sur la surface après la première utilisation.

Votre nouveau radiateur Herschel

Merci d'avoir acheté un radiateur infrarouge Herschel Select sous bureau. Intégrant le tout dernier contrôle avec le système SMART-R de Herschel et une conception mince sans cadre, vous profiterez de nombreuses années de chauffage à faible consommation d'énergie, intelligent et confortable.

Nous avons essayé de rendre l'installation et l'utilisation de votre appareil de chauffage aussi simple que possible. Veuillez lire ces instructions dans leur intégralité et les conserver pour référence future. Si vous avez des questions, notre site Web contient également de nombreuses FAQ ou si vous pouvez nous appeler, envoyer un message ou discuter en ligne avec nous, nous sommes toujours heureux de vous aider à tirer le meilleur parti de votre nouveau système de chauffage Herschel.

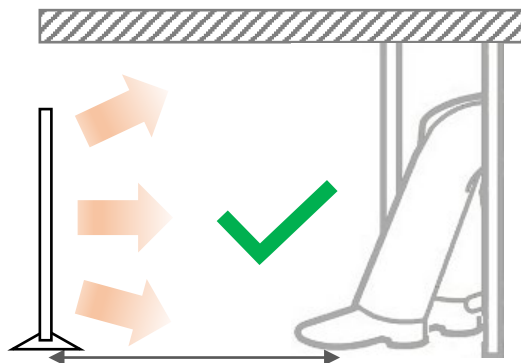
Positionner votre radiateur sous bureau



Il s'agit d'un panneau chauffant infrarouge à faible consommation d'énergie. Il est conçu pour fournir une douce chaleur pour vos jambes et vos pieds sous un bureau ou à proximité de vous.

Il est conçu comme un appareil de chauffage d'appoint, et non comme la source de chaleur principale d'une pièce.

Placez le radiateur là où il ne sera pas immédiatement obstrué par des objets (comme des sacs ou des dossiers sous un bureau) ou là où il ne peut pas rayonner efficacement, comme au bord ou dans les coins d'une pièce. Les gros objets placés à l'avant du radiateur chaufferont et peuvent empêcher une dispersion efficace de la chaleur.

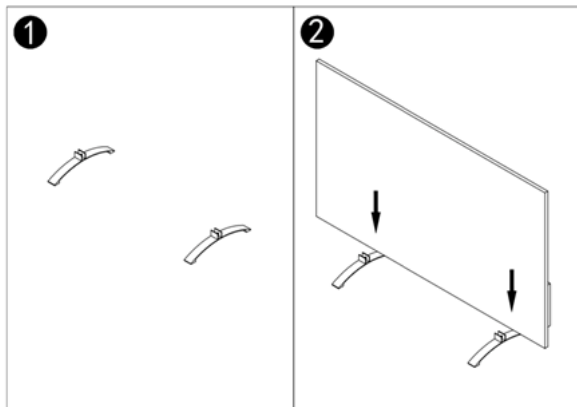


Distance minimale de 300 mm des objets

L'appareil de chauffage doit être placé sur une surface horizontale, plane et ininterrompue.

Les pieds fournis avec l'appareil de chauffage doivent être utilisés et fournir une distance correcte entre l'appareil de chauffage et le sol et toute surface arrière (comme un mur ou le dos d'un bureau). Le radiateur doit être à au moins 300 mm des objets placés devant.

Mettre en place



1. Trouvez les deux pieds fournis dans l'emballage.
2. Monter sur le côté long inférieur du radiateur. Le boîtier d'alimentation SMART-R à l'arrière du panneau doit se trouver sur le bord inférieur du radiateur.
3. Utilisez un tournevis pour serrer les vis de friction contre la surface arrière du radiateur. (Remarque : serrer les vis contre l'avant endommagera la surface avant de l'appareil de chauffage).

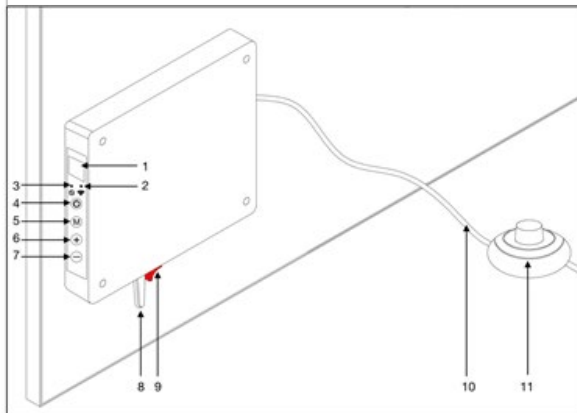
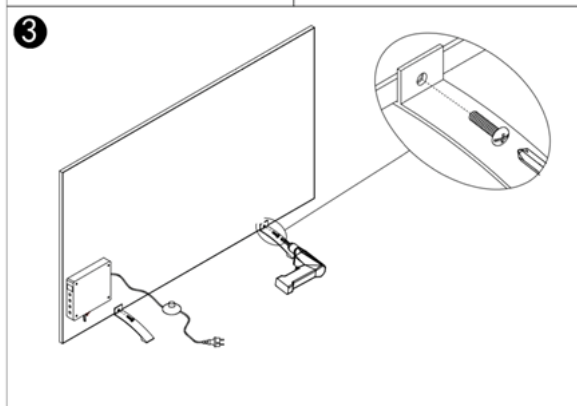
Le radiateur sous bureau Select est livré avec une prise installée en usine et peut être branché sur une prise disponible sous le bureau.

Le récepteur SMART-R permet à votre radiateur de bureau de fonctionner de deux manières différentes selon vos préférences :

- Il peut agir dans un simple mode « on/off » à l'aide de la pédale de commande ;
- Il peut se connecter au wifi et être géré via l'application SmartLife.

Les commandes du récepteur SMART-R sont les suivantes :

1. Affichage LED indiquant la température de consigne
2. Indicateur Wi-Fi
3. Indicateur de minuterie marche / arrêt
4. Bouton marche/arrêt
5. Bouton d'appairage manuel
6. Augmentation manuelle de la température
7. Diminution manuelle de la température
8. Thermostat intégré. Tirez doucement vers le bas pour détecter la température autour du radiateur.
9. Interrupteur d'alimentation (I = On, O = Off)
10. Câble secteur
11. Interrupteur au pied.



Chirurgie

Fonctionnement simple marche / arrêt à l'aide d'une pédale

L'appareil de chauffage peut être simplement actionné à l'aide de l'interrupteur au pied.

Avis d'ÉCOCONCEPTION :

Lorsqu'il est utilisé dans ce mode de fonctionnement simple, le radiateur sous-bureau Select ne doit être utilisé que dans des espaces bien isolés pour une utilisation occasionnelle et ne doit pas rester allumé en permanence.

Mode de fonctionnement

Pour utiliser le chauffage avec la pédale :

Tirez doucement le thermostat (8) du bas du boîtier SMART-R jusqu'à ce qu'il s'arrête.

Allumez la prise secteur.

Allumez l'interrupteur d'alimentation (9) (position "I" sur l'interrupteur à bascule).

Cliquez sur l'interrupteur au pied jusqu'à ce que l'interrupteur d'alimentation (9) s'allume en ROUGE.

L'appareil de chauffage se réchauffera jusqu'à ce qu'il détecte que la température locale de 37 ° C soit atteinte, moment auquel il s'éteindra.

Vous pouvez baisser la température de consigne à l'aide du bouton situé sur le côté du récepteur SMART-R. Vous ne pouvez augmenter la température (à l'aide du bouton +) qu'à 37°C.

Vous pouvez éteindre et rallumer le chauffage immédiatement à l'aide de la pédale.

Contrôle du chauffage à l'aide de l'application Smartlife

Le chauffage sous bureau Select peut être contrôlé de manière plus complète à l'aide de l'application SmartLife. Cela vous permet de définir un programme de chauffage comprenant un mode ABSENT (Vacances) et permet le contrôle vocal via Alexa ou Google Assistant. Vous pouvez toujours utiliser l'interrupteur au pied pour éteindre et allumer le chauffage.

Avis d'ÉCOCONCEPTION :

Lorsqu'il est utilisé avec l'application SmartLife, le Select Under Desk Heater est entièrement conforme à l'ÉCODESIGN et peut être configuré en permanence et laissé allumé.

Téléchargement et installation de l'application Smartlife

Scannez le code QR ci-dessous pour télécharger l'application Smartlife depuis l'App Store ou Google Play.

Vous pouvez également rechercher "Smart Life" sur Google Play ou l'App Store et rechercher cette icône.



Après avoir installé et ouvert l'application Smartlife, vous devez créer un compte en utilisant une adresse e-mail et un mot de passe et accepter les conditions d'utilisation.

Avant de commencer l'appairage, veuillez vous assurer que :

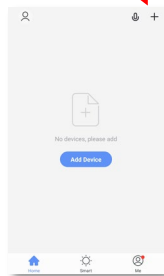
Votre téléphone mobile est connecté au signal wifi 2,4 GHz de votre routeur. Certains routeurs émettent également un signal de 5 GHz, alors assurez-vous de sélectionner l'option 2,4 GHz.

Désactivez « Wifi Assist » (téléphones iOS). Vous pouvez le rallumer après l'appairage.

Assurez-vous d'être connecté à votre routeur principal et assurez-vous que votre radiateur est à portée de votre routeur.

Appariement

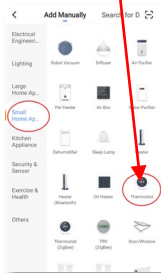
Appuyez sur "+" en haut à droite de l'application



S'il s'agit du premier thermostat que vous ajoutez, il vous sera demandé de saisir votre mot de passe Wifi.

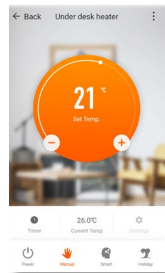
Vous n'aurez pas à le faire lorsque vous ajouterez d'autres thermostats à l'application.

Sélectionnez "Petits appareils ménagers" et ensuite "Thermostats".



Activez l'interrupteur d'alimentation de l'appareil, puis appuyez sur l'interrupteur au pied jusqu'à ce que le voyant de signal d'alimentation s'allume, le voyant de jumelage Wi-Fi se met à clignoter rapidement.

Suivez les instructions de l'application pour le couplage.



Si le couplage a échoué, cliquez sur "Retry" dans SmartLife App. Appuyez longuement sur le bouton "M" (5) du boîtier de commande pour réinitialiser le mode de couplage du chauffage, en suivant les instructions de l'application SmartLife.

Dans les situations où plusieurs connexions wifi sont disponibles et que le chauffage ne parvient pas à trouver la bonne connexion de routeur, nous vous recommandons d'essayer le mode d'appairage alternatif proposé par l'appli SmartLife. Il s'agit d'une option proposée par l'application si le mode d'appairage normal échoue.

Une aide plus détaillée est disponible en ligne via la section Aide et Support de votre site web Herschel local.

Opérations disponibles sur l'application SmartLife

À partir de l'écran principal de l'appli Smartlife, vous pouvez accéder aux fonctions de gestion suivantes de l'appareil de chauffage, qui sont décrites plus en détail à la page suivante :

Marche / Arrêt (allume et éteint le chauffage)

Contrôle de la température (cercle orange avec boutons + et -)

Fonctionnement manuel

Fonctionnement "intelligent" (mode programme)

Mode vacances

Réglages

Minuterie

Changement de réseau / désactivation du Wifi

Vous pouvez déplacer l'appareil de chauffage vers un nouveau réseau si nécessaire. Vous devrez effectuer un nouvel appairage avec l'application SmartLife.

Vous pouvez également désactiver et réactiver le Wifi et revenir à une simple commande au pied. Appuyez longuement sur le bouton "1" du récepteur pendant 10 secondes pour désactiver (la LED bleue du Wifi s'éteint) et réactiver le Wifi (la LED bleue se rallume).

Explication des modes de fonctionnement

Mode intelligent

Votre radiateur chauffant Herschel Select sous bureau fonctionne plus efficacement lorsqu'il est configuré pour fonctionner avec un programme contrôlé par l'application SmartLife. Ce programme garantira toujours que votre appareil de chauffage atteigne la température que vous voulez à l'heure que vous voulez, chaque jour de la semaine. Ceci est représenté par la fonction "Smart" sur l'application. Donc, généralement, vous voudrez configurer et faire fonctionner le chauffage en mode intelligent. Pour activer le mode intelligent, appuyez sur l'icône « Smart » sur l'écran principal de l'application et modifiez les paramètres du programme dans « Paramètres ».

Mode manuel

La sélection du mode manuel vous permet de régler et de maintenir une température constante qui ne varie pas avec l'heure de la journée. Une fois que vous avez réglé une température à l'aide du mode manuel, le radiateur sous bureau maintiendra cette température jusqu'à ce que vous lui donniez une autre commande. Sélectionnez le mode manuel en touchant l'icône « Manuel » sur l'écran principal de l'application et modifiez la température vers le haut ou vers le bas à l'aide des boutons + et -.

Passer outre

Vous pouvez toujours remplacer les températures de consigne programmées ou manuelles pour qu'elles soient supérieures ou inférieures en utilisant les touches + ou - sur l'écran principal de l'application pour modifier la température. Lorsqu'il fonctionne en mode intelligent, le radiateur maintiendra la température de dérogation jusqu'à la prochaine période programmée (lorsque la prochaine température programmée sera réglée). En mode manuel, la température de dérogation restera réglée jusqu'à ce que vous la modifiez à nouveau manuellement.

Mode vacances

Il existe également un mode Vacances qui vous permet d'économiser de l'énergie en réglant une température plus basse pendant votre absence. Le mode Vacances dispose d'une fonction de compteur de jours vous permettant de régler le nombre de jours d'absence et de remettre le chauffage en fonctionnement normal avant votre retour. Sélectionnez le mode Vacances en touchant l'icône « Vacances » sur l'écran principal de l'application. Sélectionnez les jours d'absence à l'aide du curseur et réglez la température de vos vacances à l'aide des boutons + ou -. Nous vous recommandons de mettre fin au mode vacances au moins un jour avant votre retour pour permettre à votre maison de se réchauffer à nouveau.

Paramètres

Les « Paramètres » de l'application vous permettent de modifier les horaires et les températures du programme en mode intelligent.

Minuteur

Une fonction de minuterie est disponible par incréments de 24 x 1 heure. Cela allume le chauffage pendant le nombre d'heures spécifié. Le radiateur ne chauffera qu'à la température de consigne.

Détails de l'appareil

Vous pouvez modifier d'autres détails sur votre chauffage sous bureau, notamment activer Alexa ou Google Assistant ou partager le contrôle de votre appareil avec d'autres membres de votre famille en appuyant sur l'icône en forme de crayon en haut à droite de l'écran principal de l'application. Si vous commencez à utiliser SmartLife pour contrôler d'autres appareils domotiques, vous pouvez également intégrer la commande de votre chauffage à d'autres tâches domotiques que vous configurez dans SmartLife à partir de l'écran Détails de l'appareil.

NOTER:

Lorsque vous redémarrez le radiateur après qu'il ait été éteint pendant un certain temps, veuillez laisser au radiateur le temps de se reconnecter à votre routeur avant de l'utiliser via l'application. Cela peut parfois prendre quelques minutes.

Nettoyage et entretien

FRANÇAIS



général

Veillez noter qu'il est possible que le radiateur se décolore à l'usage - ceci est causé par la pollution atmosphérique et n'est pas un défaut.

L'appareil de chauffage est conçu pour durer de nombreuses années et intègre plusieurs dispositifs de sécurité, mais si l'appareil de chauffage n'a pas été utilisé ou installé conformément à ces instructions, émet un bruit, une odeur ou montre une décoloration rapide de la surface, cessez d'utiliser l'appareil de chauffage et consultez au service client Herschel ou à votre revendeur Herschel local.

Le panneau Herschel doit être installé, désinstallé, nettoyé ou transporté uniquement à froid.

Peinture



Le radiateur sous bureau Select peut être peint pour s'agencer au décor à l'aide d'une peinture résistante à la chaleur appropriée. Cependant, Herschel ne sera pas responsable si la peinture se détériore ou se décolore. Tout droit de retourner le radiateur pour un remboursement dans les délais légaux sera annulé lorsque le radiateur a été peint. Peindre le panneau n'affectera pas votre garantie de réparation ou de remplacement.



Nettoyage

Avant d'essayer de nettoyer le panneau, débranchez le radiateur, isolez l'appareil de l'alimentation électrique et laissez-le refroidir complètement.

NE PAS immerger le panneau chauffant Herschel dans l'eau ou éclabousser d'eau dessus.

Nettoyez le radiateur avec un chiffon humide. Pour les modèles en verre, un nettoyeur pour vitres peut être utilisé. N'utilisez jamais de chiffon humide. Lorsqu'elles sont propres, séchez les surfaces avec un chiffon sec.

NE PAS appliquer de matériaux abrasifs, de solvants ou de lingettes à base de solvants sur la surface car cela peut causer des dommages irréparables. Attendez que l'appareil soit complètement sec avant de l'utiliser.



réparation

N'essayez **PAS** de réparer ou de régler les fonctions électriques ou mécaniques de cet appareil, cela annulerait votre garantie. Les réparations ne doivent être effectuées que par Herschel ou un partenaire de service Herschel agréé.



Disposition

Le radiateur est un produit électrique et ne doit pas être jeté avec les ordures ménagères. Un pourcentage élevé de l'appareil de chauffage peut être recyclé. Veuillez les traiter comme des déchets électriques et les recycler conformément aux réglementations locales.



Avis à l'acheteur

Avant d'utiliser ce produit, vous devez déterminer son adéquation à l'usage auquel il est destiné. Herschel Infrared Ltd ne peut accepter la responsabilité des dommages, pertes ou blessures causés par la pénétration d'eau ou d'humidité, les dommages accidentels, une mauvaise manipulation, un impact externe, un réglage par du personnel non autorisé ou le non-respect des précautions d'entretien et de sécurité indiquées dans ce manuel.

Reportez-vous à la politique de garantie de Herschel Infrared Ltd pour plus de détails. Voir <https://www.herschel-infrarouge.fr>.

Le produit est conforme aux normes de sécurité européennes, à la directive basse tension 2014/35/CE, à la directive CEM 2014/30/CE, à la directive RoHS 2011/65/CE et aux exigences d'écoconception pour les radiateurs locaux 2009/125/CE.

Traduction d'Instructions anglaises originales couvrant les radiateurs sous-bureau Select produits à partir de 08/2020



WICHTIGE SICHERHEITSVORKEHRUNGEN

Bei Nichtbeachtung dieser Hinweise erlischt der Garantieanspruch.

Nicht demontieren. Es befinden sich keine vom Benutzer zu wartenden Teile im Inneren.



WARNUNG



Warnung:
Nicht abdecken



Vorsicht:
Heiße Oberfläche

ZUR REDUZIERUNG DER GEFAHR VON FEUER, STROMSCHLAG ODER VERLETZUNG

Dieses Gerät muss während der Einrichtungs- oder Servicetätigkeiten sowie beim Austausch von seiner Stromquelle getrennt werden.

Das Heizgerät ist mit einem Sensor ausgestattet, der die Temperatur des Geräts und die der Umgebung kontrolliert. Trotzdem kann die Paneloberfläche bis zu 90°C / 194°F (je nach Eingangsspannung) ansteigen und darf nicht an Orten betrieben werden, an denen Personen neben dem Heizgerät stürzen oder bewegungsunfähig werden können. Berühren Sie das Heizgerät **NICHT**, wenn es in Betrieb ist. Längerer Kontakt mit dem Heizgerät führt zu Verbrennungen und Verletzungen.

Das Heizgerät verfügt über interne Sicherheitstemperaturbegrenzer. Um eine Überhitzung und eine potenzielle Brandgefahr zu vermeiden, darf das Heizgerät jedoch unter keinen Umständen abgedeckt werden. Stellen Sie das Heizgerät **NICHT** in einem Umkreis von 400 mm von brennbaren Materialien (z. B. Möbel, Vorhänge) auf.

Betreiben Sie das Heizgerät **NICHT**, wenn das Kabel oder der Stecker beschädigt ist oder nachdem das Heizgerät nicht richtig funktioniert oder wenn es fallen gelassen oder in irgendeiner Weise beschädigt wurde. Stellen Sie sicher, dass das Heizgerät selbst, der Stecker und das Kabel frei von sichtbaren Beschädigungen sind. Wenn das Kabel beschädigt ist, muss das Gerät zur Reparatur an einen autorisierten Herschel-Händler geschickt werden.

Dieses Heizgerät darf nur zum Beheizen von Personen oder Gebäuden verwendet werden. Das Heizgerät darf nicht von Kindern oder Personen mit eingeschränkten physischen, sensorischen oder mentalen Fähigkeiten oder Mangel an Erfahrung oder Wissen verwendet werden. Kinder sollten ferngehalten und in der Nähe des Geräts nicht unbeaufsichtigt gelassen werden. **NICHT** im Freien verwenden.

Das Gerät darf nur dann ein-/ausschalten, wenn es in Übereinstimmung mit dieser Anleitung in seiner vorgesehenen Betriebsposition aufgestellt oder installiert wurde. Kinder dürfen das Gerät nicht anschließen, einschalten oder regulieren oder eine Benutzerwartung einschließlich Reinigung durchführen.

Das Heizgerät muss auf einer nicht brennbaren Oberfläche montiert werden. Um ein Umkippen des Heizgerätes zu vermeiden, muss die Oberfläche waagrecht, eben und unversehrt sein.

Stellen Sie dieses Heizgerät **NICHT** direkt unterhalb von Steckdosen auf.

Herschel-Panels sind für den Einsatz mit einer Wechselspannung zwischen 220-240 Volt, 50 Hz Wechselstrom ausgelegt. Wenn Ihre Versorgungsspannung 240 Volt überschreitet, verwenden Sie das Heizgerät nicht und wenden Sie sich an Ihren Händler vor Ort. Bei Nichtbeachtung erlischt die Garantie.

Dieses Heizgerät ist ein Gerät der Klasse 1 und muss geerdet werden. Die Stromzufuhr zu jedem Heizgerät sollte durch eine Sicherung oder einen FI-Schalter mit Überspannungsschutz geschützt sein, der für die elektrische Leistung des Geräts geeignet ist.

Für bestimmte öffentliche Gebäude wie Schulen und Pflegeheime müssen die Heizgeräte gemäß der für diese Gebäudetypen spezifischen Gesetzgebung betrieben werden. Bitte vor Gebrauch prüfen.



VORSICHT

Alle festen Netzkabel außerhalb des Heizgeräts, die mit dem Heizgerät in Berührung kommen, müssen durch eine Ummantelung mit einer Temperaturbeständigkeit von mindestens 90°C geschützt werden. Stellen Sie sicher, dass das Netzkabel nicht aufgewickelt ist. Befestigen Sie **KEINE** Netzkabel an irgendeinem Teil des Heizgeräts. Bohren Sie **NICHT** durch das Heizgerät, da dies zu irreparablen Schäden führt und außerdem gefährlich ist. Schließen Sie **KEINE** Heizung, die in irgendeiner Weise beschädigt ist, an das Stromnetz an.

Verwenden Sie für die Montage des Herschel-Heizgeräts nur die mitgelieferten Standfüße und installieren Sie es gemäß dieser Installationsanleitung.

SCHUTZ VOR WASSEREINTRITT IP20

Herschel Select tragbare Infrarot-Flächenheizungen sind nach einem Standard (mindestens IP20) bewertet. **NICHT** in unmittelbarer Nähe von Badewannen, Duschen oder Spritzwasser aufstellen. Die Schalter am Heizgerät dürfen nicht aus der Badewanne oder Dusche heraus bedient werden. Das Heizgerät darf nicht bewegt werden oder so aufgestellt sein, dass es in eine Badewanne, Dusche, ein Schwimmbecken oder einen anderen Wasserbehälter stürzen kann. Lassen Sie das Netzkabel **NICHT** im Wasser liegen.

Herschel Infrarot GmbH haftet nicht für Verluste, Schäden oder Verletzungen, die durch unsachgemäße Montage oder falsche Platzierung von Heizgeräten in der Nähe von Wasserquellen verursacht werden oder daraus resultieren.

ANLEITUNG AUFBEWAHREN.

5 JAHRE GARANTIE

Registrieren Sie Ihr Produkt auf <https://www.herschel-infrarotheizung.de/kundendienst/garantieregistrierung/>. Innerhalb von fünf Jahren ab Kaufdatum repariert oder ersetzt Herschel die Heizung, wenn der Fehler auf Material- oder Verarbeitungsfehler zurückzuführen ist. Diese Garantie gilt nur für den normalen Hausgebrauch und schließt kommerzielle Nutzungen aus. Im Garantiefall besuchen Sie bitte den Kundendienstbereich der Herschel-Website und folgen Sie dem Garantierantragsprozess. Sie benötigen einen Kaufbeleg und Fotos der Heizung.

Voraussetzung für die Gültigkeit der Garantie ist die Verwendung bei der angegebenen Versorgungsspannung des Heizgerätes und die Verwendung gemäß den in dieser Anleitung angegebenen Bedingungen. Jegliche weitergehende Gewährleistung oder Ansprüche sind ausgeschlossen.

Die Garantie umfasst nur die Reparatur oder den Austausch des defekten Produkts und Herschel haftet nicht für Installationskosten oder Folgeschäden, wie auch immer sie entstehen. Die Entscheidung über Reparatur oder Ersatz liegt allein bei Herschel und jeder Ersatz wird den Spezifikationen des defekten Heizgeräts so nahe wie möglich kommen.

Durch das Entfernen der Seriennummer erlischt die Garantie. Die Garantie erlischt auch, wenn das Heizgerät manipuliert oder in irgendeiner Weise geöffnet wurde.

Das Leistungsetikett des Produkts muss auf dem Bedienfeld verbleiben.

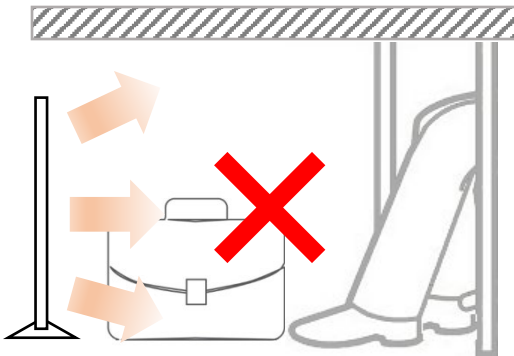
Herschel Infrared Ltd übernimmt keine Verantwortung für Kratzer auf Oberflächen oder Rahmen nach dem ersten Gebrauch.

Ihre neue Herschel Heizung

Vielen Dank, dass Sie sich für den Kauf eines tragbaren Infrarot-Flächenheizers Herschel Select entschieden haben. Diese moderne 500-Watt-Infrarot-Flächenheizung integriert die neueste Heiztechnologie und -steuerung mit dem SMART-R-System von Herschel und dem schlanken, rahmenlosen Design.

Wir haben versucht, die Einrichtung und Nutzung Ihres Heizgeräts so einfach wie möglich zu gestalten. Bitte lesen Sie diese Anleitung vollständig durch und bewahren Sie sie zum späteren Nachschlagen auf. Wenn Sie Fragen haben, finden Sie auf unserer Website auch viele FAQs oder Sie können uns anrufen, eine Nachricht senden oder online chatten. Wir helfen Ihnen gerne dabei, das Beste aus Ihrer neuen Herschel-Heizung herauszuholen.

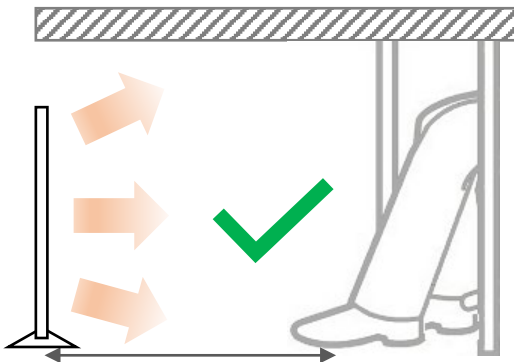
Positionieren Sie Ihre Untertischheizung



Dies ist ein energiesparender Infrarot-Heizstrahler. Er wurde entwickelt, um eine bequeme Möglichkeit zu bieten, Ihre Heizung zu ergänzen, wenn diese nicht ausreichend ist.

Bitte beachten Sie, dass sie als Zusatzheizung gedacht ist, nicht als Hauptwärmequelle für einen Raum.

Stellen Sie das Heizgerät an einem Ort auf, an dem es nicht von Gegenständen (wie Möbeln oder Vorhängen) verdeckt wird oder wo es nicht effektiv abstrahlen kann, wie z. B. an Kanten oder Ecken eines Raumes. Große Gegenstände, die vor dem Heizgerät platziert werden, erhitzen sich und können eine effektive Wärmeableitung verhindern.



Das Heizgerät muss auf einer waagerechten, ebenen und unbeschädigten Fläche aufgestellt werden.

Die mitgelieferten Standfüße müssen verwendet werden. Sie sorgen für den richtigen Abstand des Heizgeräts zum Boden und der dahinterstehenden Wand oder Möbelstücken. Der Heizstrahler muss mindestens 300 mm von vorgelagerten Gegenständen entfernt sein.

300mm Mindestabstand zu Objekten

Installation

1. Entnehmen Sie der Verpackung die beiden im Lieferumfang enthaltenen Standfüße.
2. Bringen Sie diese nun an der langen Unterseite des Heizgeräts an. Der SMART-R-Stromkasten auf der Rückseite der Platte sollte sich an der Unterkante des Heizgeräts befinden.
3. Drehen Sie die Befestigungsschrauben mit einem Schraubendreher an der Rückseite des Heizgeräts fest. (Hinweis: Wenn Sie die Schrauben an der Vorderseite festziehen, wird die Vorderseite des Heizgeräts beschädigt).

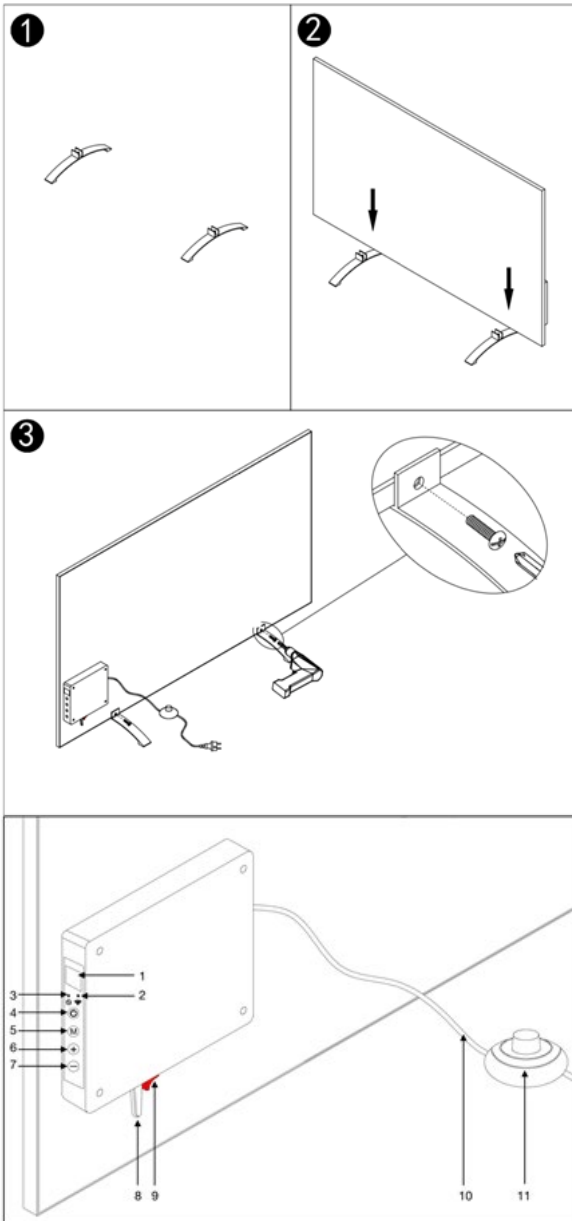
Die Select-Untertischheizung wird mit einem werkseitig montierten Stecker geliefert und kann in eine freie Steckdose unter dem Schreibtisch eingesteckt werden.

Mit dem SMART-R-Empfänger kann Ihre Untertischheizung, je nach Vorliebe, auf zwei verschiedene Arten betrieben werden:

- Sie kann in einem einfachen "Ein/Aus"-Modus mit dem Fußschalter betrieben werden;
- Sie kann sich mit WLAN verbinden und über die SmartLife App verwaltet werden.

Die Bedienelemente am SMART-R-Empfänger sind wie folgt:

1. LED-Anzeige mit Solltemperatur
2. WLAN-Anzeige
3. Timer Ein/Aus-Anzeige
4. An / aus Schalter
5. Manuelle Kopplungstaste
6. Manuelle Temperaturerhöhung
7. Manuelle Temperatursenkung
8. Eingebauter Thermostat. Ziehen Sie diesen vorsichtig nach unten, um die Temperatur um die Heizung herum zu messen.
9. Netzschalter (I = Ein, O = Aus)
10. Netzkabel
11. Fußschalter.



Bedienungshinweise

Einfache Bedienung (Ein/Aus) über Fußschalter

Die Heizung lässt sich einfach über den Fußschalter bedienen.

ECODESIGN-Hinweis:

Die Select Untertischheizung sollte nur in gut isolierten Räumen zur gelegentlichen Nutzung verwendet und nicht dauerhaft eingeschaltet bleiben.

Bedienung

Bedienung des Heizgeräts mit dem Fußschalter:

Ziehen Sie den Thermostat (8) vorsichtig bis zum Anschlag aus der Unterseite der SMART-R-Box heraus.

Schalten Sie die Netzsteckdose EIN.

Schalten Sie den Netzschalter (9) ein (Position „I“ am Wippschalter).

Klicken Sie auf den Fußschalter, bis der Netzschalter (9) ROT aufleuchtet.

Die Heizung wärmt, bis sie erkennt, dass die lokale Temperatur von 37 °C erreicht ist, woraufhin sie sich abschaltet.

Mit der – Taste an der Seite des SMART-R Empfängers können Sie die eingestellte Temperatur senken. Sie können die Temperatur (mit der Taste +) nur auf 37 °C erhöhen.

Mit dem Fußschalter können Sie das Heizgerät sofort aus- und wieder einschalten.

Heizungssteuerung über die Smartlife App

Mit der SmartLife App lässt sich die Select Untertischheizung noch umfassender steuern. Damit können Sie einen Heizplan inklusive AWAY (Urlaubs-)Modus einstellen und die Sprachsteuerung über Alexa oder Google Assistant aktivieren. Sie können die Heizung auch weiterhin mit dem Fußschalter aus- und einschalten.

ECODESIGN-Hinweis:

Bei Verwendung mit der SmartLife App ist die Select Untertischheizung vollständig ECODESIGN-konform und kann dauerhaft eingerichtet und eingeschaltet bleiben.

Herunterladen und Installieren der Smartlife-App

Scannen Sie den untenstehenden QR-Code, um die Smartlife-App aus dem App Store oder Google Play herunterzuladen. Suchen Sie alternativ nach „Smart Life“ bei Google Play oder im App.



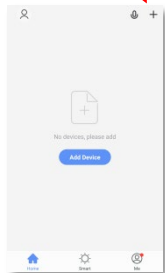
Nach der Installation und dem Öffnen der Smartlife App müssen Sie sich mit einer Emailadresse und einem Passwort registrieren und die Nutzungsbedingungen akzeptieren.

Bevor Sie mit der Verbindung beider Geräte beginnen, stellen Sie bitte Folgendes sicher:

- Ihr Mobiltelefon ist mit dem 2,4-GHz-WLAN-Signal Ihres Routers verbunden. Einige Router geben auch ein 5-GHz-Signal aus, also stellen Sie sicher, dass Sie die 2,4-GHz-Option auswählen.
- Schalten Sie „Wifi Assist“ (IoT-Telefone) aus. Sie können es nach dem Pairing wieder einschalten.
- Stellen Sie sicher, dass Sie mit Ihrem Hauptrouter verbunden sind und stellen Sie sicher, dass sich Ihre Heizung in Reichweite Ihres Routers befindet.

Pairing / Verbindungsaufnahme

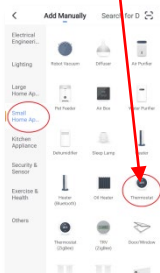
Tippen Sie oben rechts in der App auf "+"



Wenn dies Ihr erster Thermostat ist, den Sie hinzufügen, werden Sie aufgefordert, Ihr WLAN-Passwort einzugeben.

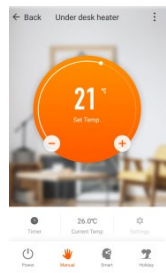
Dies ist nicht erforderlich, wenn Sie der App weitere Thermostate hinzufügen.

Wählen Sie „Kleine Haushaltsgeräte“ und dann „Thermostate“



Aktivieren Sie den Netzschalter am Heizgerät und prüfen Sie, ob die Stromsignalleuchte leuchtet. Die Wi-Fi Verbindungsanzeige beginnt schnell zu blinken.

Befolgen Sie zur Verbindung die Anweisungen in der App.



Wenn die Verbindung fehlgeschlagen ist, klicken Sie in der SmartLife-App auf „Wiederholen“. Drücken Sie lange auf die Taste „M“ (5) am Steuerkasten, um den Verbindungsmodus des Heizgeräts zurückzusetzen, indem Sie den Anweisungen in der SmartLife-App folgen.

In Situationen, in denen mehrere WLAN-Verbindungen verfügbar sind und das Heizgerät die richtige Routerverbindung nicht findet, empfehlen wir Ihnen, den alternativen Pairing-Modus der SmartLife-App auszuprobieren. Dies ist eine Option, die von der App angeboten wird, wenn der normale Pairing-Modus fehlschlägt.

Ausführlichere Hilfe ist online über den Abschnitt Hilfe & Support auf Ihrer lokalen Herschel-Website verfügbar.

In der SmartLife App verfügbare Operationen

Vom Hauptbildschirm der Smartlife-App aus können Sie auf die folgenden Verwaltungsfunktionen für das Heizgerät zugreifen, die auf der folgenden Seite ausführlicher beschrieben werden:

- Power On / Off (schaltet die Heizung ein und aus)
- Temperaturübersteuerung (orangefarbener Kreis mit + und – Tasten)
- Handbetrieb
- „Smarter“ Betrieb (Programmmodus)
- Urlaubsmodus
- Einstellungen
- Timer

Netzwerk wechseln / WLAN deaktivieren

Sie können das Heizgerät bei Bedarf in ein neues Netzwerk verschieben. Sie müssen die Reparatur mit der SmartLife-App durchführen.

Sie können WiFi auch deaktivieren und wieder aktivieren und zur einfachen Ein/Aus-Netzstromsteuerung zurückkehren. Halten Sie die Taste „-“ am Empfänger 10 Sekunden lang gedrückt, um das WLAN zu deaktivieren (blaue Wifi-LED erlischt), bei Aktivierung leuchtet das blaue LED wieder.

Erklärung der Betriebsmöglichkeiten

Smart-Modus

Ihre tragbare Infrarot-Flächenheizung Herschel Select arbeitet am effizientesten, wenn sie für den Betrieb mit einem von der SmartLife-App gesteuerten Programm eingerichtet ist. Dieses Programm stellt immer sicher, dass Ihr Heizgerät die gewünschte Temperatur zur gewünschten Zeit an jedem Tag der Woche erreicht. Dies wird durch die Funktion „Smart“ in der App dargestellt. Sie sollten daher das Heizgerät im Smart-Modus einrichten und betreiben. Um den Smart-Modus zu aktivieren, berühren Sie das „Smart“-Symbol auf dem App-Hauptbildschirm und ändern Sie die Programmeinstellungen in „Einstellungen“.

Manueller Modus

Wenn Sie den manuellen Modus auswählen, können Sie eine konstante Temperatur einstellen und beibehalten, die sich nicht mit der Tageszeit ändert. Sobald Sie im manuellen Modus eine Temperatur eingestellt haben, behält Ihr tragbarer Infrarot-Flächenheizer diese Temperatur bei, bis Sie ihm einen weiteren Befehl geben. Wählen Sie den manuellen Modus durch Berühren des Symbols „Manuell“ auf dem Hauptbildschirm der App und ändern Sie die Temperatur mit den Tasten + und – nach oben oder unten.

Überschreiben

Sie können die programmierten oder manuell eingestellten Temperaturen jederzeit überschreiben, um die Temperatur höher oder niedriger einzustellen. Hierzu drücken Sie die Tasten + oder – auf dem Hauptbildschirm der App. Im Smart-Modus hält die Heizung die Übersteuerungstemperatur bis zum nächsten programmierten Zeitraum (wenn die nächste programmierte Temperatur eingestellt wird). Im manuellen Modus bleibt die Übersteuerungstemperatur eingestellt, bis Sie sie erneut manuell ändern.

Urlaubsmodus

Wählen Sie den Urlaubsmodus, indem Sie das Symbol "Urlaub" auf dem Hauptbildschirm der App berühren. Wählen Sie mit dem Schieberegler "Urlaubstage" und stellen Sie mit den Tasten "+" und "-" Ihre Urlaubstemperatur ein. Wir empfehlen, den Urlaubsmodus mindestens einen Tag vor Ihrer Rückkehr zu beenden, damit sich Ihr Haus wieder aufwärmen kann.

Einstellungen

Mit „Einstellungen“ in der App können Sie die Programmzeitpläne und Temperaturen des Smart-Modus ändern.

Timer

Eine Timerfunktion ist in 24 x 1-Stunden-Schritten verfügbar. Dadurch wird die Heizung für die angegebene Anzahl von Stunden eingeschaltet. Die Heizung heizt nur bis zur Solltemperatur.

Gerätedetails

Sie können andere Details zu Ihrem tragbaren Infrarot-Flächenheizgerät ändern, einschließlich der Aktivierung von Alexa oder Google Assistant oder der Freigabe der Steuerung Ihres Geräts mit anderen Mitgliedern Ihrer Familie, indem Sie oben rechts auf dem Hauptbildschirm der App auf das Stiftsymbol tippen.

Wenn Sie beginnen, Smartlife zur Steuerung anderer Hausautomationsgeräte zu verwenden, können Sie Ihre Heizungssteuerung auch in andere Hausautomatisierungsaufgaben integrieren, die Sie in SmartLife über den Bildschirm Gerätedetails einrichten.

HINWEIS:

Wenn Sie das Heizgerät nach längerem Ausschalten neu starten, geben Sie dem Heizgerät bitte Zeit, sich wieder mit Ihrem Router zu verbinden, bevor Sie es über die App bedienen. Dies kann manchmal einige Minuten dauern.

Reinigung und Instandhaltung

DEUTSCH



Allgemein

Bitte beachten Sie, dass sich das Heizgerät bei Gebrauch verfärben kann – dies wird durch Luftverschmutzung verursacht und ist kein Fehler.

Das Heizgerät ist für eine lange Lebensdauer ausgelegt und verfügt über mehrere Sicherheitsmerkmale. Wenn das Heizgerät jedoch nicht gemäß dieser Anleitung verwendet oder installiert wurde, Geräusche oder Gerüche abgibt oder sich die Oberfläche schnell verfärbt, verwenden Sie das Heizgerät nicht weiter und wenden Sie sich an den Herschel-Kundendienst oder Ihren lokalen Herschel-Händler. Die Herschel-Platte darf nur im kalten Zustand montiert, demontiert, gereinigt oder transportiert werden.



Malen

Die Select Untertischheizung kann mit einer geeigneten hitzebeständigen Farbe passend zum Dekor lackiert werden. Herschel haftet jedoch nicht, wenn sich der Lack verschlechtert oder sich verfärbt. Jeglicher Anspruch auf Rückgabe des Heizgerätes gegen Erstattung innerhalb der gesetzlichen Fristen erlischt, wenn das Heizgerät lackiert wurde. Das Lackieren des Panels hat keinen Einfluss auf Ihre Garantie für Reparatur oder Ersatz.



Reinigung

Bevor Sie versuchen, das Panel zu reinigen, trennen Sie das Heizgerät vom Stromnetz, trennen Sie das Gerät vom Stromnetz und lassen Sie es vollständig abkühlen.

Tauchen Sie die Herschel-Flächenheizung NICHT in Wasser und spritzen Sie kein Wasser darauf.

Reinigen Sie die Heizung mit einem feuchten Tuch. Für Glasmodelle kann Glasreiniger verwendet werden. Verwenden Sie niemals ein nasses Tuch. Nach der Reinigung die Oberflächen mit einem trockenen Tuch trocknen.

Tragen Sie KEINE Scheuermittel, Lösungsmittel oder Reinigungstücher auf die Oberfläche auf, da dies irreparable Schäden verursachen kann. Warten Sie, bis das Gerät vollständig trocken ist, bevor Sie es verwenden.



Reparatur

Versuchen Sie NICHT, elektrische oder mechanische Funktionen an diesem Gerät zu reparieren oder einzustellen. Andernfalls erlischt Ihre Garantie. Reparaturen dürfen nur von Herschel oder einem autorisierten Herschel Servicepartner durchgeführt werden.



Entsorgung

Das Heizgerät ist ein elektrisches Produkt und darf nicht über den Hausmüll entsorgt werden. Ein hoher Prozentsatz des Heizgerätes kann recycelt werden. Bitte als Elektroschrott behandeln und gemäß den örtlichen Vorschriften recyceln.



Hinweis an den Käufer

Bevor Sie dieses Produkt verwenden, sollten Sie seine Eignung für den vorgesehenen Verwendungszweck feststellen. Herschel Infrared Ltd übernimmt keine Verantwortung für Schäden, Verluste oder Verletzungen, die durch das Eindringen von Wasser oder Feuchtigkeit, versehentliche Beschädigungen, falsche Handhabung, äußere Einwirkungen, Einstellungen durch nicht autorisiertes Personal oder Nichtbeachtung der in diesem Handbuch angegebenen korrekten Wartungs- und Sicherheitsvorkehrungen verursacht werden. Ausführliche Informationen finden Sie in der Garantierichtlinie von Herschel Infrared Ltd. Siehe <https://www.herschel-infrarothheizung.de/>

Das Produkt entspricht den europäischen Sicherheitsstandards Niederspannungsrichtlinie 2014/35/EG, EMV-Richtlinie 2014/30/EG, RoHS 2011/65/EG und Ökodesign-Anforderungen für lokale Raumheizgeräte 2009/125/EG.

Originalbetriebsanleitung für Select-Untertischheizungen ab Produktionsdatum 08/2020



NEDERLANDS

BELANGRIJKE VEILIGHEIDSMATREGELEN

Het niet naleven van deze instructies maakt de garantie ongeldig.
Niet uit elkaar halen. Geen door de gebruiker te onderhouden onderdelen binnenin.



WAARSCHUWING

OM HET RISICO OP BRAND, ELEKTRISCHE SCHOK OF LETSEL TE VERMINDEREN

Dit apparaat moet worden losgekoppeld van de stroombron tijdens installatie- of servicewerkzaamheden en bij vervanging.

De verwarming is uitgerust met een sensor die zorgt voor temperatuurregeling van de unit en de omgeving.

Desalniettemin kan het paneeloppervlak oplopen tot 90°C / 194°F (afhankelijk van de ingangsspanning) en mag het niet worden gebruikt op plaatsen waar mensen naast de kachel kunnen vallen of onbeweeglijk kunnen worden.

Raak de kachel **NIET** aan wanneer deze in gebruik is. Langdurig contact met de kachel zal brandwonden en letsel veroorzaken.

De verwarmers heeft interne thermische thermische uitschakelsensoren. Om oververhitting en mogelijk brandgevaar te voorkomen, mag u de kachel echter in geen geval afdekken. Plaats de kachel **NIET** binnen 300 mm van ontvlambare materialen (bijv. meubels, gordijnen).

Gebruik de kachel **NIET** als het snoer of de stekker beschadigd is of nadat de kachel defect is, of als deze is gevallen of op enigerlei wijze is beschadigd. Zorg ervoor dat de kachel zelf, de stekker en de kabel vrij zijn van zichtbare beschadigingen. Als het snoer beschadigd is, moet het apparaat voor reparatie naar een erkende Herschel-dealer worden gestuurd.

Deze kachel mag alleen worden gebruikt voor het verwarmen van mensen of gebouwen. De kachel mag niet worden gebruikt door kinderen of personen met verminderde fysieke, zintuiglijke of mentale vermogens, of gebrek aan ervaring of kennis. Houd kinderen uit de buurt en laat ze niet zonder toezicht in de buurt van het apparaat. **NIET** buitenshuis gebruiken.

Alle bedieners mogen het apparaat alleen in-/uitschakelen als het is geplaatst of geïnstalleerd in de beoogde gebruikpositie in overeenstemming met deze instructies. Kinderen mogen het apparaat niet aansluiten, inschakelen of regelen of gebruikersonderhoud, inclusief schoonmaken, uitvoeren.

De kachel moet op een niet-brandbare ondergrond worden gemonteerd. Om te voorkomen dat de kachel omvalt, moet het oppervlak horizontaal, vlak en ongebroken zijn.

Plaats deze kachel **NIET** direct onder stopcontacten.

Herschel-panels zijn ontworpen voor gebruik met een wisselspanning tussen 220-240 volt, 50 Hz wisselstroom. Als uw voedingsspanning hoger is dan 240 volt, gebruik de verwarming dan niet en raadpleeg uw plaatselijke dealer. Als u zich hieraan niet houdt, vervalt de garantie.

Deze kachel is een toestel van klasse 1 en moet geaard zijn. De elektrische voeding naar elke verwarming moet worden beschermd door een zekering of een aardlekschakelaar met overstroombeveiliging (RCBO) of aardlekschakelaar (GFCI) die geschikt is voor het elektrische vermogen van het apparaat.

Voor bepaalde openbare gebouwen zoals scholen en verzorgingstehuizen moeten de kachels worden bediend volgens de specifieke wetgeving voor dit soort gebouwen. Controleer voor gebruik.

 **ORZICHTIGHEID**

Alle vaste netbedrading buiten de kachel die in contact komt met de kachel, moet worden beschermd door een kous met een temperatuurclassificatie van ten minste 90°C.

Zorg ervoor dat de voedingskabel niet opgerold is. Sluit het overtollige netsnoer NIET aan op enig onderdeel van de kachel.

Boor NIET door de kachel aangezien dit onherstelbare schade zal veroorzaken en ook gevaarlijk is.

Sluit een verwarming die op enigerlei wijze beschadigd is NIET aan op het elektriciteitsnet.

Gebruik voor het monteren van de Herschel heater alleen de meegeleverde voetjes en installeer deze in overeenstemming met deze installatiehandleiding.

BESCHERMING TEGEN HET BINNEN VAN WATER IP20

Herschel Select onder bureauverwarmingspanelen hebben een standaard (minimaal) IP20. NIET in de directe omgeving van een bad, douche plaatsen. De schakelaars op de verwarming mogen door niemand in bad of onder de douche bediend kunnen worden. Bedien de voetschakelaar **NOOIT** met natte voeten. De kachel mag niet verplaatst of gestoten kunnen worden zodat hij in een badkuip, douche, zwembad of ander waterreservoir valt. Laat het netsnoer of de voetschakelaar NIET in water rusten.

Herschel Infrared Ltd is niet aansprakelijk voor verlies, schade of letsel veroorzaakt of als gevolg van onvoldoende montage of onjuiste plaatsing van verwarmers in de buurt van waterbronnen.

BEWAAR DEZE INSTRUCTIES.**5 JAAR GARANTIE**

Registreer uw product hier <https://www.herschel-infrarood.nl/klantenservice/garantie-registratie/>.

Binnen vijf jaar vanaf de aankoopdatum zal Herschel de kachel repareren of vervangen als het defect te wijten is aan materiaal- of fabricagefouten. Deze garantie is alleen voor standaard huishoudelijk gebruik en sluit commercieel gebruik uit. Ga in het geval van een garantieclaim naar het gedeelte Klantenservice van de Herschel-website en volg de procedure voor garantieclaims. U heeft een aankoopbewijs en foto's van de kachel nodig.

Voorwaarde voor de geldigheid van de garantie is het gebruik bij de aangegeven voedingsspanning van de heater en het gebruik in overeenstemming met de in deze handleiding genoemde voorwaarden. Verdere garantie of aanspraken zijn uitgesloten.

De garantie dekt alleen de reparatie of vervanging van het defecte product en Herschel is niet aansprakelijk voor installatiekosten of gevolgschade, hoe dan ook ontstaan. De beslissing om te repareren of te vervangen ligt uitsluitend bij Herschel en elke vervanging zal qua specificatie zo dicht mogelijk bij de defecte verwarming liggen.

Als u het serienummer verwijdert, vervalt de garantie. De garantie vervalt ook als er op enigerlei wijze met de kachel is geknoeid of deze is geopend.

Het voedingslabel van het product moet op het paneel blijven zitten.

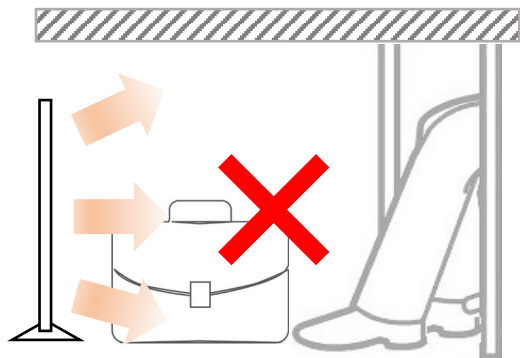
Herschel Infrared Ltd aanvaardt geen verantwoordelijkheid voor krassen op het oppervlak na het eerste gebruik.

Uw nieuwe Herschel Heater

Dank u voor de aanschaf van een Herschel Select infraroodstraler voor onder bureaus. Met het allernieuwste op het gebied van bediening met het SMART-R-systeem van Herschel en het slanke frame-loze ontwerp, zult u jarenlang genieten van energiezuinige, slimme en comfortabele verwarming.

We hebben geprobeerd de installatie en het gebruik van uw verwarming zo eenvoudig mogelijk te maken. Lees deze instructies volledig door en bewaar ze voor toekomstig gebruik. Als u vragen heeft, vindt u op onze website ook veel veelgestelde vragen of kunt u ons bellen, berichten sturen of online chatten. We helpen u altijd graag om ervoor te zorgen dat u het meeste uit uw nieuwe Herschel-verwarmingssysteem haalt.

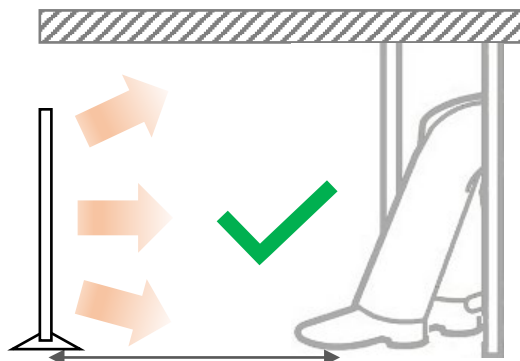
Uw bureauverwarmer plaatsen



Dit is een infrarood paneelverwarmer met een laag energieverbruik. Het is ontworpen om uw benen en voeten een zachte warmte te geven onder een bureau of in de buurt van u.

Het is bedoeld als een aanvullende verwarming, niet als de belangrijkste warmtebron voor een kamer.

Plaats de kachel op een plek waar deze niet direct wordt belemmerd door voorwerpen (zoals tassen of mappen onder een bureau) of waar deze niet goed kan uitstralen, zoals aan de rand of in de hoeken van een kamer. Grote voorwerpen die voor de kachel worden geplaatst, worden warm en kunnen een effectieve warmteverspreiding voorkomen.

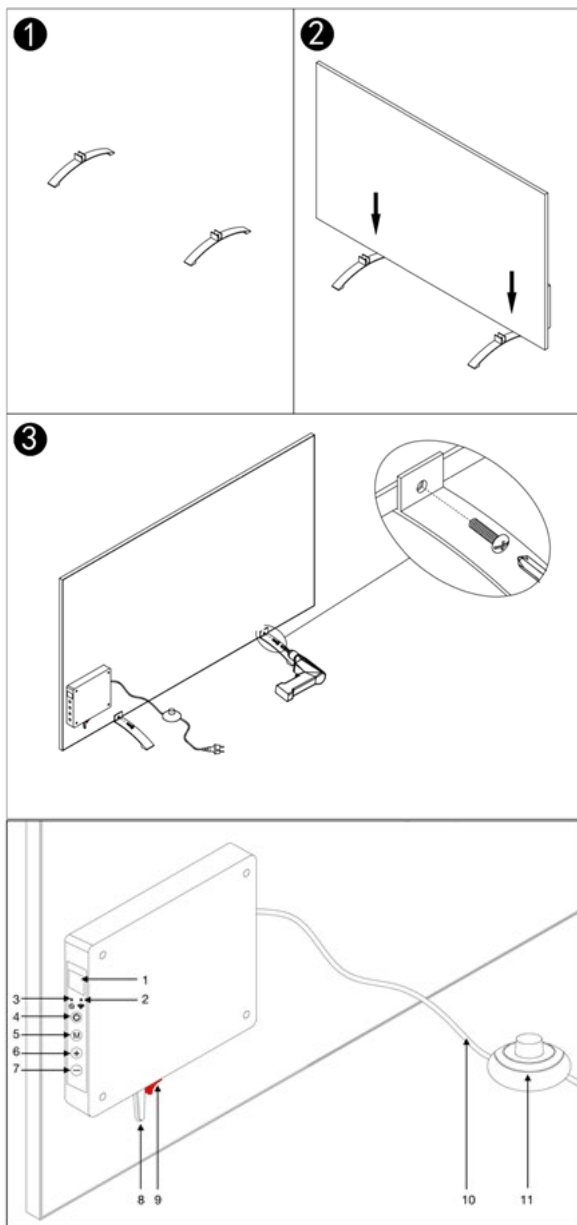


De kachel moet op een horizontaal, effen en ononderbroken oppervlak worden geplaatst.

De voetjes die bij de kachel worden geleverd, moeten worden gebruikt en zorgen voor de juiste afstand voor de kachel tot de vloer en elk achteroppervlak (zoals een muur of de achterkant van een bureau). De kachel moet minimaal 300 mm verwijderd zijn van objecten die ervoor worden geplaatst.

Minimale afstand van 300 mm tot objecten

Opstelling



1. Zoek de twee voetjes die in het pakket zijn meegeleverd.
2. Bevestig aan de lange onderkant van de kachel. De SMART-R-voedingskast aan de achterkant van het paneel moet zich aan de onderkant van de kachel bevinden.
3. Gebruik een schroevendraaier om de frictieschroeven vast te draaien tegen de achterkant van de kachel. (Opmerking: als u de schroeven tegen de voorkant aandraait, wordt de voorkant van de kachel beschadigd).

De Select onder-bureauverwarmer wordt geleverd met een in de fabriek gemonteerde stekker en kan worden aangesloten op een beschikbaar stopcontact onder het bureau.

Met de SMART-R-ontvanger kan uw onder-bureauverwarmer naar wens op twee verschillende manieren werken:

- Het kan in een eenvoudige "aan / uit" -modus werken met behulp van het voetpedaal;
- Het kan verbinding maken met wifi en worden beheerd via de SmartLife-app.

De bedieningselementen op de SMART-R-ontvanger zijn als volgt:

1. LED-display met insteltemperatuur
2. Wifi-indicator
3. Timer aan/uit-indicator
4. Aan / uit knop
5. Handmatige koppelingsknop
6. Handmatige temperatuurverhoging
7. Handmatige temperatuurverlaging
8. Ingebouwde thermostaat. Trek voorzichtig naar beneden om de temperatuur rond de kachel te voelen.
9. Aan/uit-schakelaar (I = Aan, O = Uit)
10. Netsnoer
11. Voetschakelaar.

Operatie

Eenvoudige aan/uit-bediening met voetschakelaar
De heater is eenvoudig te bedienen met de voetschakelaar.

ECODESIGN-opmerking:

Bij gebruik in deze eenvoudige bedrijfsmodus mag de Select-ondertafelverwarmer alleen worden gebruikt in goed geïsoleerde ruimtes voor incidenteel gebruik en mag hij niet permanent ingeschakeld blijven.

Operatie

Om de kachel te gebruiken met de voetschakelaar:

Trek de thermostaat (8) voorzichtig uit de onderkant van de SMART-R-box totdat deze stopt.

Schakel het stopcontact in.

Zet de Power Switch (9) aan ('I'-positie op de tuimelschakelaar).

Klik op de voetschakelaar totdat de aan/uit-schakelaar (9) ROOD oplicht.

De kachel zal opwarmen totdat hij voelt dat de lokale temperatuur van 37°C is bereikt, waarna hij uitschakelt.

U kunt de ingestelde temperatuur verlagen met de – knop aan de zijkant van de SMART-R ontvanger. U kunt de temperatuur alleen verhogen (met de + knop) tot 37 °C.

Met de voetschakelaar zet je de kachel direct uit en weer aan.

Verwarmingsregeling met de Smartlife-app

De Select-ondertafelverwarming kan uitgebreider worden bediend met de SmartLife-app. Hiermee stel je een verwarmingsschema in inclusief een AFWEZIG (Vakantie) modus en maak je spraakbediening via Alexa of Google Assistant mogelijk. U kunt nog steeds de voetschakelaar bedienen om de kachel aan en uit te zetten.

ECODESIGN-opmerking:

Bij gebruik met de SmartLife-app is de Select Under Desk Heater volledig ECODESIGN-compatibel en kan deze permanent worden ingesteld en ingeschakeld blijven.

De Smartlife-app downloaden en installeren

Scan onderstaande QR-code om de Smartlife App te downloaden uit de App Store of van Google Play.



U kunt ook zoeken naar "Smart Life" op Google Play of de App Store en naar dit pictogram zoeken.

Na het installeren en openen van de Smartlife App dient u een account te registreren met een e-mailadres en wachtwoord en de gebruiksvoorwaarden te accepteren.

Voordat u begint met koppelen, moet u ervoor zorgen dat:

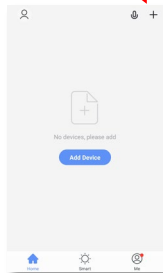
Je mobiele telefoon is verbonden met het 2,4 GHz wifi-sigitaal van je router. Sommige routers geven ook een 5GHz-sigitaal af, dus zorg ervoor dat u de 2,4GHz-optie selecteert.

Schakel "Wifi Assist" (IoT-telefoons) uit. U kunt het na het koppelen weer inschakelen.

Zorg ervoor dat u verbonden bent met uw hoofdrouter en zorg ervoor dat uw verwarming zich binnen het bereik van uw router bevindt.

Koppelen

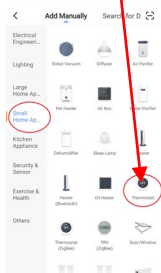
Tik op '+' rechtsboven in App



Als dit je eerste thermostaat is die je toevoegt, wordt je gevraagd je wifwachtwoord in te voeren.

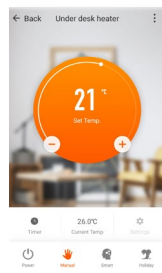
U hoeft dit niet te doen als u volgende thermostaten aan de App toevoegt.

Selecteer "Kleine huishoudelijke apparaten" en dan "Thermostaten"



Activeer de aan/uitschakelaar op de verwarming en druk vervolgens op de voetschakelaar totdat het aan/uitsignaallampje brandt, de wifi-koppelingsindicator begint snel te knipperen.

Volg de instructies op de app om te koppelen.



Als het niet gelukt is om te koppelen, klikt u op "Opnieuw proberen" in de SmartLife-app. Druk lang op de "M"-knop (5) op de bedieningskast om de koppelingsmodus van de verwarming te resetten, volgens de aanwijzingen in de SmartLife-app.

In situaties waarin meerdere wifi-verbindingen beschikbaar zijn en de verwarming de juiste routerverbinding niet kan vinden, raden we u aan de alternatieve koppelingsmodus te proberen die wordt aangeboden door de SmartLife-app. Dit is een optie die door de app wordt aangeboden als de normale koppelingsmodus mislukt.

Meer gedetailleerde hulp is online beschikbaar via de Help & Support-sectie van uw lokale Herschel-website.

Bewerkingen beschikbaar op de SmartLife-app

Vanuit het hoofdscherm van de Smartlife-app heeft u toegang tot de volgende beheerfuncties voor de verwarming, die op de volgende pagina uitgebreider worden beschreven:

Aan/uit (schakelt de kachel aan en uit)

Temperatuuroverride (oranje cirkel met + en – knoppen)

Manuele operatie

"Slimme" bediening (programmamodus)

Vakantiemodus

Instellingen

Timer

Netwerk wijzigen / Wifi uitschakelen

U kunt de verwarming indien nodig naar een nieuw netwerk verplaatsen. U moet opnieuw koppelen met de SmartLife-app.

Je kunt wifi ook deactiveren en opnieuw activeren en terugkeren naar eenvoudige voetschakelaarbediening. Houd de '-'-knop op de ontvanger 10 seconden lang ingedrukt om te deactiveren (blauwe wifi-led gaat uit) en wifi opnieuw te activeren (blauwe led gaat weer aan).

Uitleg van de bedrijfsmodi**NEDERLANDS****Slimme modus**

Uw Herschel Select onder-bureauverwarmer werkt het meest efficiënt wanneer deze is ingesteld om te werken met een programma dat wordt bestuurd door de SmartLife-app. Dit programma zorgt er altijd voor dat uw kachel elke dag van de week de gewenste temperatuur bereikt op het tijdstip dat u het wilt. Dit wordt weergegeven door de "Smart"-functie op de App. Dus meestal wilt u de verwarming instellen en gebruiken in de slimme modus. Om de Smart-modus in te schakelen, raakt u het pictogram "Smart" op het hoofdscherm van de app aan en wijzigt u de programma-instellingen in "Instellingen".

Handmatige modus

Door de handmatige modus te selecteren, kunt u een constante temperatuur instellen en behouden die niet varieert met de tijd van de dag. Als je eenmaal een temperatuur hebt ingesteld in de handmatige modus, zal de onder-bureauverwarmer deze temperatuur behouden totdat je hem een ander commando geeft. Selecteer de handmatige modus door het pictogram "Handmatig" op het hoofdscherm van de app aan te raken en wijzig de temperatuur omhoog of omlaag met de knoppen + en -.

Overschrijven

U kunt de geprogrammeerde of handmatig ingestelde temperaturen altijd overschrijven om hoger of lager te zijn door de + of – toetsen op het hoofdscherm van de app te gebruiken om de temperatuur te wijzigen. Als de kachel in de Smart-modus werkt, handhaaft de override-temperatuur tot de volgende geprogrammeerde periode (wanneer de volgende geprogrammeerde temperatuur wordt ingesteld). In de handmatige modus blijft de override-temperatuur ingesteld totdat u deze opnieuw handmatig wijzigt.

Vakantiemodus

Er is ook een vakantiemodus waarmee u energie kunt besparen door een lagere temperatuur in te stellen terwijl u weg bent. De vakantiemodus heeft een dagtellerfunctie waarmee u het aantal dagen dat u afwezig bent kunt instellen en de verwarming weer normaal kunt laten werken voordat u terugkeert.

Selecteer de vakantiemodus door het pictogram "Vakantie" op het hoofdscherm van de app aan te raken. Selecteer Dagen weg met de slider en stel je vakantietemperatuur in met de + of – knoppen. We raden aan om de vakantiemodus minstens een dag voor je terugkeer te beëindigen, zodat je huis weer op temperatuur kan komen.

Instellingen

Met "Instellingen" op de app kunt u de programmaschema's en temperaturen van de Smart-modus wijzigen.

Timer

Een timerfunctie is beschikbaar in stappen van 24 x 1 uur. Hierdoor wordt de kachel gedurende het opgegeven aantal uren ingeschakeld. De heater verwarmt alleen tot de ingestelde temperatuur.

Apparaatgegevens

Je kunt andere details over je verwarming onder je bureau wijzigen, waaronder het inschakelen van Alexa of Google Assistant of het delen van de bediening van je apparaat met andere leden van je gezin door op het potloodpictogram rechtsboven in het hoofdscherm van de app te tikken.

Als u Smartlife begint te gebruiken om andere domotica-apparaten te bedienen, kunt u uw verwarmingsbesturing ook integreren met andere domotica-taken die u in SmartLife instelt vanaf het scherm Apparaatdetails.

OPMERKING:

Wanneer u de kachel opnieuw opstart nadat deze gedurende enige tijd is uitgeschakeld, geef de kachel dan de tijd om opnieuw verbinding te maken met uw router voordat u deze via de app bedient. Dit kan soms enkele minuten duren.



Algemeen

Houd er rekening mee dat het mogelijk is dat de kachel verkleurt door gebruik - dit wordt veroorzaakt door vervuiling in de lucht en is geen defect.

De kachel is ontworpen om vele jaren mee te gaan en bevat verschillende veiligheidsvoorzieningen, maar als de kachel niet is gebruikt of geïnstalleerd in overeenstemming met deze instructies, geluid maakt, ruikt of het oppervlak snel verkleurt, stop dan met het gebruik van de kachel en raadpleeg naar de Herschel Customer Service of uw plaatselijke Herschel-dealer.

Het Herschel-paneel mag alleen in koude toestand worden geïnstalleerd, gedemonteerd, gereinigd of vervoerd.

Schilderen



De Select Under-bureauverwarmer kan worden geverfd om bij het decor te passen met een geschikte hittebestendige verf. Herschel is echter niet verantwoordelijk als de lak verslechtert of verkleurt. Alle rechten om de kachel binnen de wettelijke termijnen terug te sturen voor restitutie, komen te vervallen wanneer de kachel is geverfd. Het schilderen van het paneel heeft geen invloed op uw garantie voor reparatie of vervanging.



Schoonmaak

Voordat u probeert het paneel schoon te maken, moet u de kachel loskoppelen, het apparaat van de elektrische voeding isoleren en volledig laten afkoelen.

Dompel de Herschel-paneelverwarmer NIET onder in water of spat er geen water op.

Reinig de kachel met een vochtige doek. Voor glasmodellen kan glasreiniger worden gebruikt. Gebruik nooit een natte doek. Droog de oppervlakken wanneer ze schoon zijn met een droge doek. Breng GEEN schurende materialen, oplosmiddelen of reinigingsdoekjes aan op het oppervlak, aangezien dit onherstelbare schade kan veroorzaken. Wacht tot het apparaat volledig droog is voor gebruik.



Reparatie

Probeer GEEN elektrische of mechanische functies van dit apparaat te repareren of af te stellen, anders vervalt uw garantie. Reparaties mogen alleen worden uitgevoerd door Herschel of een geautoriseerde Herschel-servicepartner.



Beschikbaarheid

De kachel is een elektrisch product en mag niet met het huisvuil worden weggegooid. Een hoog percentage van de kachel kan worden gerecycled. Behandel het als elektrisch afval en recycle het in overeenstemming met de lokale regelgeving.

Kennisgeving aan de koper

Voordat u dit product gebruikt, dient u te bepalen of het geschikt is voor het beoogde gebruik. Herschel Infrared Ltd kan geen verantwoordelijkheid aanvaarden voor schade, verlies of letsel veroorzaakt door binnendringend water of vocht, onopzettelijke schade, verkeerd gebruik, externe impact, afstelling door onbevoegd personeel of het niet opvolgen van de juiste onderhouds- en veiligheidsmaatregelen zoals vermeld in deze handleiding. Raadpleeg het garantiebeleid van Herschel Infrared Ltd voor volledige details. Zie <https://www.herschel-infrarood.nl>.



Het product voldoet aan de Europese veiligheidsnormen Laagspanningsrichtlijn 2014/35 / EG, EMC-richtlijn 2014/30 / EG, RoHS 2011/65 / EG en Ecodesign vereisten voor toestellen voor lokale ruimteverwarming 2009/125 / EG.

Vertaling van originele instructies voor Select bureauverwarmingen geproduceerd vanaf 08/2020





IMPORTANTI PRECAUZIONI DI SICUREZZA

La mancata osservanza di queste istruzioni invaliderà la garanzia. Non smontare non tentare alcuna riparazione dell'apparechiatura, ogni forma di manomissione della stessa comporterà un annullamento della garanzia in essere. La mancata osservanza di queste istruzioni invaliderà la garanzia. Non smontare. Nessuna parte riparabile dall'utente all'interno.

ITALIANO

Avvertimento
: Non coprire

Attenzione:
Superficie
calda

AVVERTIMENTO

PER RIDURRE IL RISCHIO DI INCENDIO, SCOSSA ELETTRICA O LESIONI

Questo apparecchio deve essere scollegato dalla fonte di alimentazione durante l'installazione o le attività di assistenza e durante la sostituzione.

Il riscaldatore è dotato di un sensore che fornisce il controllo della temperatura dell'unità e dell'area circostante. Tuttavia, la superficie del pannello può raggiungere i 90°C / 194°F (a seconda della tensione di ingresso) e non deve essere utilizzata in luoghi in cui le persone possono cadere o rimanere immobili vicino al riscaldatore.

NON toccare il riscaldatore quando è in uso. Il contatto prolungato con il riscaldatore provoca ustioni e lesioni. Il riscaldatore è dotato di sensori interni di protezione termica di sicurezza. Tuttavia, per evitare il surriscaldamento e il potenziale rischio di incendio, **NON** coprire in nessun caso il riscaldatore. **NON** posizionare il riscaldatore entro 300 mm da materiali infiammabili (ad es. mobili, tende).

NON azionare il riscaldatore se il cavo o la spina sono danneggiati o dopo un malfunzionamento del riscaldatore, o se è caduto o è stato danneggiato in qualsiasi modo. Assicurarsi che il riscaldatore stesso, la spina e il cavo siano privi di segni visibili di danneggiamento. Se il cavo è danneggiato, l'apparecchio deve essere inviato per la riparazione a un rivenditore autorizzato Herschel.

Questo riscaldatore deve essere utilizzato esclusivamente per il riscaldamento di persone o edifici. Il riscaldatore non deve essere utilizzato da bambini o persone con ridotte capacità fisiche, sensoriali o mentali, o prive di esperienza o conoscenza. I bambini devono essere tenuti lontani e non devono essere lasciati incustoditi intorno all'unità. **NON** utilizzare all'aperto.

Tutti gli operatori devono accendere/spegnere l'apparecchio solo a condizione che sia stato posizionato o installato nella posizione operativa prevista in conformità con queste istruzioni. I bambini non devono collegare, accendere o regolare l'apparecchio o eseguire la manutenzione dell'utente, compresa la pulizia.

Il riscaldatore deve essere montato su una superficie non infiammabile. Per evitare che il riscaldatore si ribalti, la superficie deve essere orizzontale, piana e non rotta.

NON posizionare questo riscaldatore direttamente sotto le prese di corrente.

I pannelli Herschel sono progettati per l'uso con una tensione CA compresa tra 220-240 volt, 50 Hz CA. Se la tensione di alimentazione supera i 240 Volt, non utilizzare il riscaldatore e rivolgersi al rivenditore locale. Il mancato rispetto di quanto sopra renderà nulla la garanzia.

Questo riscaldatore è un apparecchio di Classe 1 e deve essere collegato a terra. L'alimentazione elettrica di ciascun riscaldatore deve essere protetta da un fusibile o dispositivo di corrente residua con protezione da sovracorrente (RCBO) o interruttore di circuito di guasto a terra (GFCI) adatto alla potenza elettrica dell'apparecchio.

Per alcuni edifici pubblici come scuole e case di cura i riscaldatori devono essere azionati secondo la legislazione specifica per questi tipi di edifici. Si prega di controllare prima dell'uso.



ATTENZIONE

Eventuali cablaggi di rete fissi esterni al riscaldatore che vengano a contatto con il riscaldatore devono essere protetti da guaine con una temperatura nominale di almeno 90°C.

Assicurarsi che il cavo di alimentazione non sia arrotolato. **NON** collegare il cavo di alimentazione in eccesso a nessuna parte del riscaldatore.

NON perforare il riscaldatore poiché ciò causerebbe danni irreparabili ed è anche pericoloso.

NON collegare un riscaldatore danneggiato in alcun modo alla rete elettrica.

Per montare il riscaldatore Herschel, utilizzare solo i piedini forniti e installarlo in conformità con questa guida di installazione.

PROTEZIONE INGRESSO ACQUA IP20

I pannelli riscaldanti sotto la scrivania Herschel Select sono classificati secondo uno standard (minimo) IP20. **NON** collocare nelle immediate vicinanze di un bagno, doccia. Gli interruttori del riscaldatore non devono essere azionabili da chiunque si trovi nella vasca da bagno o nella doccia. **NON** azionare **MAI** l'interruttore a pedale con i piedi bagnati. Non deve essere possibile spostare o urtare il riscaldatore facendolo cadere in una vasca da bagno, doccia, piscina o altro contenitore d'acqua. **NON** lasciare che il cavo di alimentazione o l'interruttore a pedale restino in acqua.

Herschel Infrared Ltd non sarà responsabile per eventuali perdite, danni o lesioni causati o derivanti da un montaggio inadeguato o da un posizionamento errato dei riscaldatori vicino a fonti d'acqua.

CONSERVA QUESTE ISTRUZIONI.

5 ANNI DI GARANZIA

Registra il tuo prodotto qui <https://www.herschel-infrarossi.it/assistenza-clienti/registrazione-della-garanzia/>.

Entro cinque anni dalla data di acquisto Herschel riparerà o sostituirà il riscaldatore qualora il guasto sia dovuto a difetti di materiale o di fabbricazione. Questa garanzia è solo per uso domestico standard ed esclude usi commerciali. In caso di richiesta di garanzia, visitare l'area Servizio clienti del sito Web Herschel e seguire la procedura di richiesta di garanzia. Avrai bisogno della prova di acquisto e delle fotografie del riscaldatore.

Un prerequisito per la validità della garanzia è l'uso alla tensione di alimentazione specificata del riscaldatore e l'uso in conformità con le condizioni specificate nel presente manuale. Sono escluse ulteriori garanzie o reclami.

La garanzia copre solo la riparazione o la sostituzione del prodotto difettoso e Herschel non si assume alcuna responsabilità per i costi di installazione o per le perdite consequenziali comunque sostenute. La decisione di riparare o sostituire spetterà esclusivamente a Herschel e qualsiasi sostituzione sarà il più vicino possibile nelle specifiche al riscaldatore guasto.

La rimozione del numero di serie annullerà la garanzia. La garanzia decade anche se il riscaldatore è stato manomesso o aperto in qualsiasi modo.

L'etichetta di alimentazione del prodotto deve essere lasciata sul pannello.

Herschel Infrared Ltd non si assume alcuna responsabilità per graffi sulla superficie dopo il primo utilizzo.

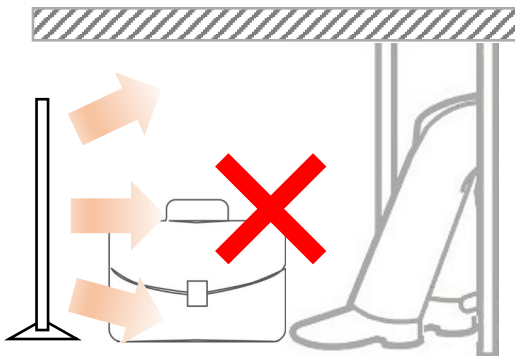


Il tuo nuovo riscaldatore Herschel

Grazie per aver acquistato un riscaldatore a infrarossi sotto la scrivania Herschel Select. Incorporando il controllo più recente con il sistema SMART-R di Herschel e il design sottile senza cornice, godrai di molti anni di riscaldamento a basso consumo energetico, intelligente e confortevole.

Abbiamo cercato di rendere la configurazione e l'utilizzo del riscaldatore il più semplice possibile. Si prega di leggere completamente queste istruzioni e di conservarle per riferimento futuro. In caso di domande, il nostro sito Web ha anche molte FAQ o puoi chiamarci, inviare messaggi o chattare online con noi, siamo sempre felici di aiutarti a ottenere il massimo dal tuo nuovo sistema di riscaldamento Herschel.

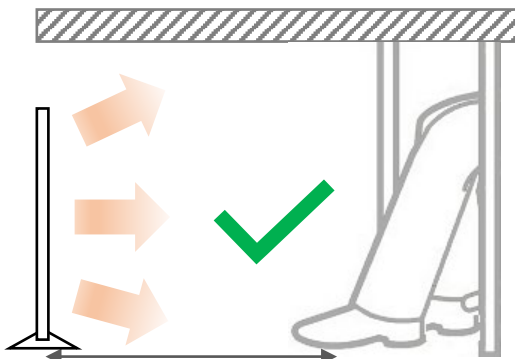
Posizionamento del riscaldatore sotto la scrivania



Questo è un riscaldatore a pannello a infrarossi a basso consumo energetico. È progettato per fornire un delicato calore alle gambe e ai piedi sotto una scrivania o nelle immediate vicinanze.

È inteso come riscaldatore supplementare, non come fonte di calore principale per una stanza.

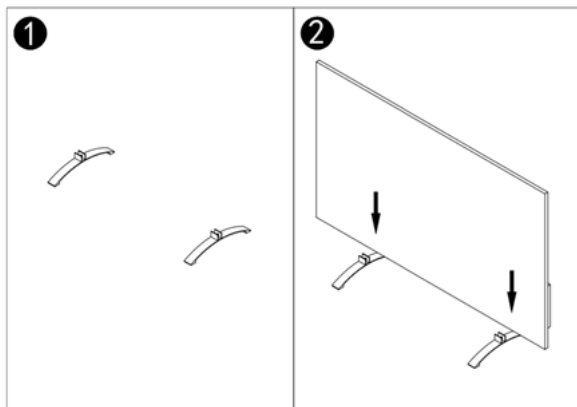
Collocare il riscaldatore dove non sarà immediatamente ostruito da oggetti (come borse o cartelle sotto una scrivania) o dove non possa irradiarsi efficacemente, come sul bordo o negli angoli di una stanza. Oggetti di grandi dimensioni posti davanti al riscaldatore si surriscaldano e possono impedire un'efficace dispersione del calore.



Il riscaldatore deve essere posizionato su una superficie orizzontale, piana e ininterrotta.

È necessario utilizzare i piedini forniti con il riscaldatore e fornire la corretta distanza del riscaldatore dal pavimento e da qualsiasi superficie posteriore (come una parete o il retro di una scrivania). Il riscaldatore deve essere ad almeno 300 mm dagli oggetti posti di fronte.

Distanza minima di 300 mm dagli oggetti

Impostare


1. Trovate i due piedini forniti nella confezione.
2. Montare sul lato lungo inferiore del riscaldatore. La scatola di alimentazione SMART-R sul retro del pannello dovrebbe trovarsi sul bordo inferiore del riscaldatore.
3. Utilizzare un cacciavite per serrare le viti a frizione contro la superficie posteriore del riscaldatore. (Nota: il serraggio delle viti contro la parte anteriore danneggerà la superficie anteriore del riscaldatore).

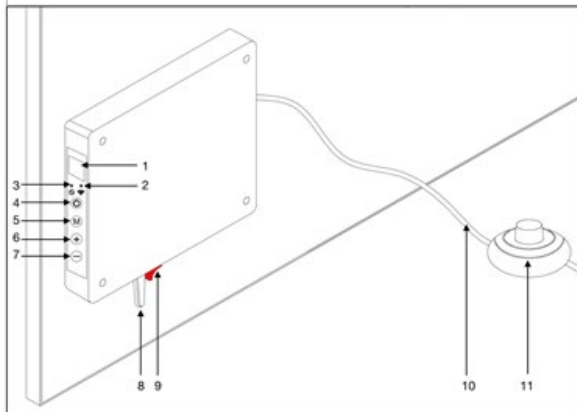
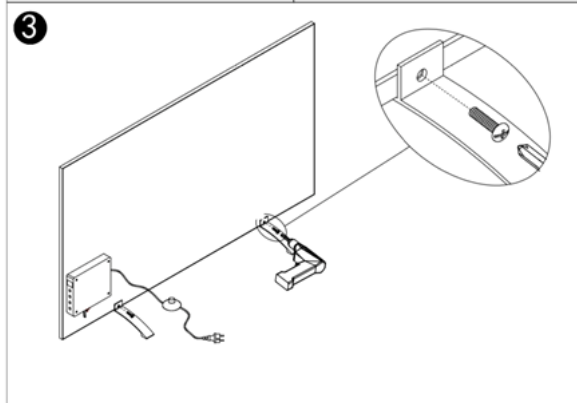
Il riscaldatore da tavolo Select viene fornito con una spina montata in fabbrica e può essere collegato a una presa disponibile sotto la scrivania.

Il ricevitore SMART-R consente al riscaldatore da tavolo di funzionare in due modi diversi a seconda delle preferenze:

- Può agire in una semplice modalità "on/off" tramite il comando a pedale;
- Può connettersi al wifi ed essere gestito tramite l'App SmartLife.

I comandi sul ricevitore SMART-R sono i seguenti:

1. Display a LED che mostra la temperatura predefinita
2. Indicatore Wi-Fi
3. Indicatore di accensione/spengimento del timer
4. Pulsante di accensione/spengimento
5. Pulsante di associazione manuale
6. Aumento manuale della temperatura
7. Diminuzione manuale della temperatura
8. Termostato integrato. Tirare delicatamente verso il basso per rilevare la temperatura intorno al riscaldatore.
9. Interruttore di alimentazione (I = acceso, O = spento)
10. Cavo di rete
11. Interruttore a pedale.



operazione**Funzionamento semplice On/Off tramite interruttore a pedale**

Il riscaldatore può essere azionato semplicemente utilizzando l'interruttore a pedale.

Avviso ECODESIGN:

Quando viene utilizzato in questa semplice modalità operativa, il riscaldatore da tavolo Select deve essere utilizzato solo in spazi ben isolati per un uso occasionale e non deve essere lasciato in funzione in modo permanente.

operazione

Per utilizzare il riscaldatore con l'interruttore a pedale:

Estrarre delicatamente il termostato (8) dal fondo della scatola SMART-R fino all'arresto.

Accendere la presa di rete.

Accendere l'interruttore di alimentazione (9) (posizione "I" sull'interruttore a bilanciere).

Fare clic sull'interruttore a pedale finché l'interruttore di alimentazione (9) non si illumina in ROSSO.

Il riscaldatore si riscalderà fino a quando non rileva il raggiungimento della temperatura locale di 37°C, a quel punto si spegnerà.

È possibile abbassare la temperatura impostata utilizzando il pulsante – sul lato del ricevitore SMART-R. Puoi solo aumentare la temperatura (utilizzando il pulsante +) fino a 37 °C.

È possibile spegnere e riaccendere il riscaldatore immediatamente utilizzando l'interruttore a pedale.

Controllo del riscaldatore tramite l'app Smartlife

Il riscaldatore da tavolo Select può essere controllato in modo più completo utilizzando l'app SmartLife. Ciò consente di impostare un programma di riscaldamento che includa una modalità AWAY (vacanza) e consente il controllo vocale tramite Alexa o Google Assistant. È comunque possibile azionare l'interruttore a pedale per spegnere e riaccendere il riscaldatore.

Avviso ECODESIGN:

Quando viene utilizzato con l'app SmartLife, il riscaldatore da tavolo Select è completamente configurato in modalità ECODESIGN e può essere configurato in modo permanente e lasciato acceso.

Download e installazione dell'app Smartlife

Scansiona il codice QR qui sotto per scaricare l'app Smartlife dall'App Store o da Google Play.

In alternativa, cerca "Smart Life" su Google Play o sull'App Store e cerca questa icona. 



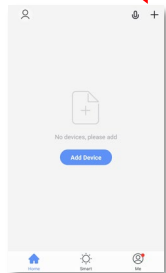
Dopo aver installato e aperto l'App Smartlife, è necessario registrare un account utilizzando un indirizzo e-mail e una password e accettare i termini di utilizzo.

Prima di iniziare l'accoppiamento, assicurati che:

- Il tuo telefono cellulare è connesso al segnale Wi-Fi a 2,4 GHz dal tuo router. Alcuni router emettono anche un segnale a 5 GHz, quindi assicurati di selezionare l'opzione a 2,4 GHz.
- Disattiva "Wifi Assist" (telefoni iOS). Puoi riaccenderlo dopo l'associazione.
- Assicurati di essere collegato al router principale e assicurati che il riscaldatore si trovi nel raggio di portata del router.

Accoppiamento

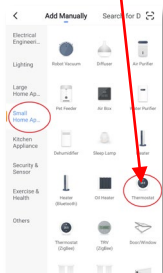
Tocca "+" in alto a destra di App



Se questo è il tuo primo termostato che stai aggiungendo, ti verrà chiesto di inserire la tua password Wifi.

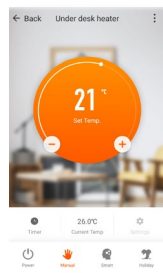
Non dovrai farlo quando aggiungi successivi termostati all'app.

Seleziona "Piccoli elettrodomestici" e poi "Termostati"



Se questo è il tuo primo termostato che stai aggiungendo, ti verrà chiesto di inserire la tua password Wifi.

Non dovrai farlo quando aggiungi successivi termostati all'app.



Se non sei riuscito ad accoppiare, fai clic su "Riprova" nell'app SmartLife. Premere a lungo il pulsante "M" (5) sulla scatola di controllo per ripristinare la modalità di associazione del riscaldatore, seguendo le istruzioni nell'app SmartLife.

In situazioni in cui sono disponibili diverse connessioni wifi e il riscaldatore non riesce a trovare la giusta connessione al router, ti consigliamo di provare la modalità di associazione alternativa offerta dall'app SmartLife. Questa è un'opzione offerta dall'App se la normale modalità di accoppiamento fallisce.

Una guida più dettagliata è disponibile online tramite la sezione Guida e supporto del sito Web Herschel locale.

Operazioni disponibili sull'App SmartLife

Dalla schermata principale dell'app Smartlife è possibile accedere alle seguenti funzionalità di gestione del riscaldatore, descritte più ampiamente nella pagina seguente:

- Accensione/spengimento (accende e spegne il riscaldatore)
- Esclusione temperatura (cerchio arancione con pulsanti + e -)
- Operazione manuale
- Funzionamento "intelligente" (modalità programma)
- Modalità vacanza
- Impostazioni
- Timer

Operazioni disponibili sull'App SmartLife Modifica della rete / disattivazione del Wi-Fi

Se necessario, puoi spostare il riscaldatore su una nuova rete. Dovrai riassociare con l'app SmartLife.

Puoi anche disattivare e riattivare il Wifi e tornare al semplice comando a pedale. Premere a lungo il pulsante "-" sul ricevitore per 10 secondi per disattivare (il LED blu del Wifi si spegne) e riattivare il wifi (il LED blu si riaccende).



Spiegazione delle modalità operative

Modalità intelligente

Il riscaldatore da tavolo Herschel Select funziona in modo più efficiente quando è impostato per funzionare con un programma controllato dall'app SmartLife. Questo programma assicurerà sempre che il tuo riscaldatore raggiunga la temperatura che desideri all'ora desiderata, ogni giorno della settimana. Questo è rappresentato dalla funzione "Smart" sull'App. Quindi di solito vorrai configurare e far funzionare il riscaldatore in modalità Smart. Per abilitare la modalità Smart tocare l'icona "Smart" nella schermata principale dell'App e modificare le impostazioni del programma in "Impostazioni".

Modalità manuale

La selezione della modalità Manuale consente di impostare e mantenere una temperatura costante che non varia con l'ora del giorno. Dopo aver impostato una temperatura utilizzando la modalità Manuale, il riscaldatore sotto la scrivania manterrà questa temperatura fino a quando non gli darai un altro comando. Selezionare la modalità Manuale toccando l'icona "Manuale" nella schermata principale dell'App e aumentare o diminuire la temperatura utilizzando i pulsanti + e -.

Oltrepassare

È sempre possibile sovrascrivere le temperature impostate programmate o manuali per essere più alte o più basse utilizzando i tasti + o - nella schermata principale dell'app per modificare la temperatura. Quando si opera in modalità Smart, il riscaldatore manterrà la temperatura di override fino al successivo periodo programmato (quando verrà impostata la successiva temperatura programmata). In modalità Manuale, la temperatura di sostituzione rimarrà impostata fino a quando non la cambierai di nuovo manualmente.

Modalità vacanza

C'è anche una modalità Vacanza che ti permette di risparmiare energia impostando una temperatura più bassa mentre sei via. La modalità Vacanza ha una funzione contagiorno che ti consente di impostare il numero di giorni di assenza e di ripristinare il normale funzionamento del riscaldamento prima del tuo ritorno.

Seleziona la modalità Vacanza toccando l'icona "Vacanze" nella schermata principale dell'App. Seleziona Giorni di assenza utilizzando il dispositivo di scorrimento e imposta la temperatura per le vacanze utilizzando i pulsanti + o - . Ti consigliamo di terminare la modalità vacanza almeno un giorno prima del tuo ritorno per consentire alla tua casa di riscaldarsi nuovamente.

Impostazioni

Le "Impostazioni" sull'App consentono di modificare gli orari e le temperature dei programmi della modalità Smart.

Timer

Una funzione timer è disponibile con incrementi di 24 x 1 ora. Questo accende il riscaldatore per il numero di ore specificato. Il riscaldatore riscalderà solo fino alla temperatura predefinita.

Dettagli del dispositivo

Puoi modificare altri dettagli sul riscaldatore sotto la scrivania, inclusa l'abilitazione di Alexa o Google Assistant o la condivisione del controllo del tuo dispositivo con altri membri della tua famiglia toccando l'icona a forma di matita in alto a destra nella schermata principale dell'app.

Se inizi a utilizzare Smartlife per controllare altri dispositivi di automazione domestica, puoi anche integrare il controllo del riscaldamento con altre attività di automazione domestica configurate in SmartLife dalla schermata Dettagli dispositivo.

NOTA:

Quando si riavvia il riscaldatore dopo che è stato spento per un certo periodo di tempo, dare al riscaldatore il tempo di riconnettersi al router prima di utilizzarlo tramite l'app. Questo a volte può richiedere alcuni minuti.



Pulizia e manutenzione



Generale

Si prega di notare che è possibile che il riscaldatore scolorisca con l'uso - questo è causato dall'inquinamento atmosferico e non è un difetto.

Il riscaldatore è progettato per durare molti anni e incorpora diverse caratteristiche di sicurezza, ma se il riscaldatore non è stato utilizzato o installato secondo queste istruzioni, emette rumori, odori o mostra un rapido scolorimento della superficie, interrompere l'uso del riscaldatore e fare riferimento al servizio clienti Herschel o al rivenditore Herschel locale.

Il pannello Herschel deve essere installato, disinstallato, pulito o trasportato solo a freddo.

La pittura



Il riscaldatore da tavolo Select Under può essere verniciato per abbinarsi all'arredamento utilizzando una vernice resistente al calore adatta. Tuttavia, Herschel non sarà responsabile se la vernice si deteriora o scolorisce. Qualsiasi diritto di restituire il riscaldatore per un rimborso entro i termini legali sarà annullato nel caso in cui il riscaldatore sia stato verniciato. La verniciatura del pannello non influirà sulla garanzia per la riparazione o la sostituzione.



Pulizia

Prima di tentare di pulire il pannello, scollegare il riscaldatore, isolare l'unità dall'alimentazione elettrica e lasciarla raffreddare completamente.

NON immergere il riscaldatore a pannello Herschel in acqua o spruzzare acqua su di esso.

Pulisci la stufa con un panno umido. Per i modelli in vetro è possibile utilizzare un detergente per vetri. Non usare mai un panno umido. Una volta pulite, asciugare le superfici con un panno asciutto.

NON applicare materiali abrasivi, solventi o salviette per solventi sulla superficie in quanto ciò può causare danni irreparabili. Attendere che l'unità sia completamente asciutta prima dell'uso.



Riparazione

NON tentare di riparare o regolare alcuna funzione elettrica o meccanica su questa unità, in quanto ciò annullerà la garanzia. Le riparazioni devono essere eseguite solo da Herschel o da un partner di assistenza Herschel autorizzato.

Disposizione



Il riscaldatore è un prodotto elettrico e non deve essere smaltito con i rifiuti domestici. Un'alta percentuale del riscaldatore può essere riciclata. Si prega di trattare come rifiuti elettrici e riciclare in conformità con le normative locali.

Notifica all'acquirente

Prima di usare questo prodotto, determinare la sua idoneità per l'uso previsto. Herschel Infrared Ltd non si assume alcuna responsabilità per danni, perdite o lesioni causati dall'ingresso di acqua o umidità, danni accidentali, uso improprio, impatto esterno, modifiche apportate da personale non autorizzato o mancato rispetto della corretta manutenzione e delle precauzioni di sicurezza come indicato in questo manuale. Si prega di fare riferimento alla politica di garanzia della Herschel Infrared Ltd per tutti i dettagli. Vedere <https://www.herschel-infrarossi.it/>

Il prodotto è conforme alle norme di sicurezza europee Direttiva Bassa Tensione 2014/35/CE, Direttiva EMC 2014/30/CE, RoHS 2011/65/CE e Requisiti di progettazione ecologica per apparecchi per il riscaldamento locale 2009/125/CE.

Istruzioni originali per Select Portable Infrared Panel Heaters prodotti dal 12/2020

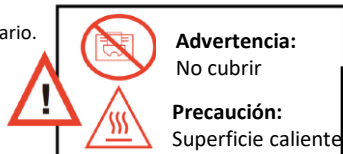


ESPAÑOL

PRECAUCIONES DE SEGURIDAD IMPORTANTES

El incumplimiento de estas instrucciones invalidará la garantía.

No desarmar. No hay piezas en el interior que puedan ser reparadas por el usuario.



ADVERTENCIA

PARA REDUCIR EL RIESGO DE INCENDIO, DESCARGA ELÉCTRICA O LESIONES

Este electrodoméstico debe desconectarse de su fuente de alimentación durante la instalación o las actividades de servicio y al reemplazarlo.

El calentador está equipado con un sensor que controla la temperatura de la unidad y el área circundante. No obstante, la superficie del panel puede elevarse a 90 ° C / 194 ° F (dependiendo del voltaje de entrada) y no debe utilizarse en lugares donde las personas puedan caer o quedarse inmóviles junto al calentador.

NO toque el calentador cuando esté en uso. El contacto prolongado con el calentador provocará quemaduras y lesiones.

El calentador tiene sensores de corte térmico de seguridad internos. Sin embargo, para evitar el sobrecalentamiento y el riesgo potencial de incendio, **NO** cubra el calentador bajo ninguna circunstancia. **NO** coloque el calentador a menos de 300 mm de cualquier material inflamable (por ejemplo, muebles, cortinas).

NO opere el calentador si el cable o el enchufe están dañados o después de que el calentador no funciona bien, o si se ha caído o dañado de alguna manera. Asegúrese de que el calentador, el enchufe y el cable no presenten signos visibles de daños. Si el cable está dañado, el electrodoméstico debe enviarse para su reparación a un distribuidor autorizado de Herschel.

Este calefactor solo debe utilizarse para calentar personas o edificios. El calentador no debe ser utilizado por niños o personas con capacidades físicas, sensoriales o mentales reducidas, o con falta de experiencia o conocimiento. Los niños deben mantenerse alejados y no deben dejarse sin supervisión alrededor de la unidad. **NO** lo use al aire libre.

Todos los operadores solo deben encender / apagar el aparato siempre que se haya colocado o instalado en su posición de funcionamiento prevista de acuerdo con estas instrucciones. Los niños no deben enchufar, encender o regular el aparato ni realizar tareas de mantenimiento por parte del usuario, incluida la limpieza.

El calentador debe montarse sobre una superficie no inflamable. Para evitar que el calentador se vuelque, la superficie debe ser horizontal, uniforme y sin roturas.

NO coloque este calentador directamente debajo de las tomas de corriente.

Los paneles Herschel están diseñados para usarse con un voltaje de CA entre 220-240 voltios, 50 Hz de CA. Si su voltaje de suministro excede los 240 voltios, no use el calentador y consulte a su distribuidor local. El incumplimiento de esto anulará la garantía.

Este calentador es un aparato de Clase 1 y debe conectarse a tierra. El suministro eléctrico de cada calentador debe estar protegido por un fusible o un dispositivo de corriente residual con protección contra sobrecorriente (RCBO) o un interruptor de circuito de falla a tierra (GFCI) adecuado para la clasificación eléctrica del artefacto.

En determinados edificios públicos, como escuelas y residencias, los calefactores deben funcionar de acuerdo con la legislación específica para este tipo de edificios. Verifique antes de usar.

PRECAUCIÓN

Cualquier cableado de red fijo fuera del calentador que entre en contacto con el calentador debe protegerse con un manguito con una clasificación de temperatura de al menos 90 ° c.

Asegúrese de que el cable de alimentación no esté enrollado. NO conecte el exceso de cable de alimentación a ninguna parte del calentador.

NO taladre a través del calentador ya que esto causará daños irreparables y también es peligroso.

NO conecte un calentador que esté dañado de alguna manera a la red eléctrica.

Para montar el calentador Herschel, utilice únicamente los pies suministrados e instálelo de acuerdo con esta guía de instalación.

PROTECCIÓN CONTRA INGRESO DE AGUA IP20

Los paneles calefactores debajo de escritorio de Herschel Select XLS tienen una clasificación de IP20 estándar (mínimo). NO lo coloque en las inmediaciones de un baño o ducha. No debe ser posible que nadie pueda accionar los interruptores del calentador en una bañera o ducha. NUNCA opere el interruptor de pie con los pies mojados. No debe ser posible mover o golpear el calentador para que caiga en una bañera, ducha, piscina u otro recipiente de agua. NO permita que el cable de alimentación o el interruptor de pie descansen en el agua.

Herschel Infrared Ltd no será responsable de ninguna pérdida, daño o lesión causada o resultante de un ajuste inadecuado o una colocación incorrecta de calentadores cerca de fuentes de agua.

GUARDA ESTAS INSTRUCCIONES.

GARANTÍA DE 5 AÑOS

Registre su producto aquí <https://www.herschel-infrarrojo.es/atencion-al-cliente/registro-de-garantia/>.

En un plazo de cinco años a partir de la fecha de compra, Herschel reparará o reemplazará el calentador cuando la falla se deba a defectos en los materiales o la mano de obra. Esta garantía es solo para uso doméstico estándar y excluye los usos comerciales. En el caso de un reclamo de garantía, visite el área de Servicio al cliente del sitio web de Herschel y siga el proceso de reclamo de garantía. Necesitará un comprobante de compra y fotografías del calentador.

Un requisito previo para la validez de la garantía es el uso al voltaje de suministro especificado del calentador y el uso de acuerdo con las condiciones especificadas en este manual. Quedan excluidas otras garantías o reclamaciones..

La garantía cubre la reparación o el reemplazo del producto defectuoso únicamente y Herschel no tendrá ninguna responsabilidad por los costos de instalación o las pérdidas consecuentes, independientemente de cómo se incurra. La decisión de reparar o reemplazar recaerá únicamente en Herschel y cualquier reemplazo será lo más parecido posible en las especificaciones del calentador averiado.

Eliminar el número de serie anulará la garantía. La garantía también quedará anulada si el calentador ha sido manipulado o abierto de alguna manera.

La etiqueta de alimentación del producto debe dejarse en el panel.

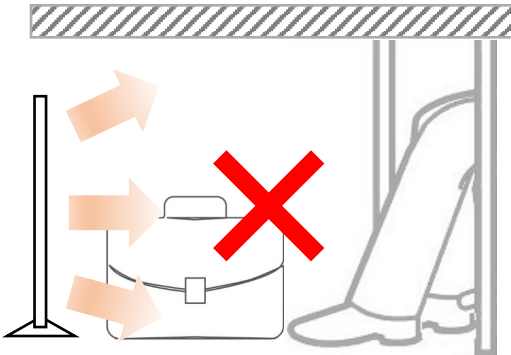
Herschel Infrared Ltd no asumirá ninguna responsabilidad por los arañazos en la superficie después del primer uso.

Tu nuevo calentador Herschel

Gracias por comprar un calentador infrarrojo debajo del calentador de escritorio Herschel Select. Al incorporar lo último en control con el sistema SMART-R de Herschel y un diseño delgado sin marco, disfrutará de muchos años de calefacción de bajo consumo, inteligente y cómoda.

Hemos intentado que la configuración y el uso de su calentador sean lo más fáciles posible. Lea estas instrucciones en su totalidad y consérvelas para consultarlas en el futuro. Si tiene alguna pregunta, nuestro sitio web también tiene muchas preguntas frecuentes o puede llamarnos, enviarnos un mensaje o chatear en línea con nosotros, siempre estaremos encantados de ayudarlo a obtener el máximo provecho de su nuevo sistema de calefacción Herschel.

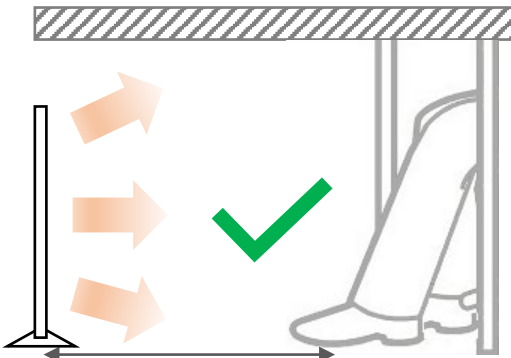
Colocación de su calentador debajo del escritorio



Este es un calentador de panel infrarrojo de bajo consumo de energía. Está diseñado para brindar un calor suave a sus piernas y pies debajo de un escritorio o cerca de usted.

Está diseñado como un calentador complementario, no como la principal fuente de calor para una habitación.

Coloque el calentador donde no pueda ser obstruido inmediatamente por objetos (como bolsas o carpetas debajo de un escritorio) o donde no pueda irradiar de manera efectiva, como en el borde o en las esquinas de una habitación. Los objetos grandes colocados frente al calentador se calentarán y pueden evitar la dispersión efectiva del calor.

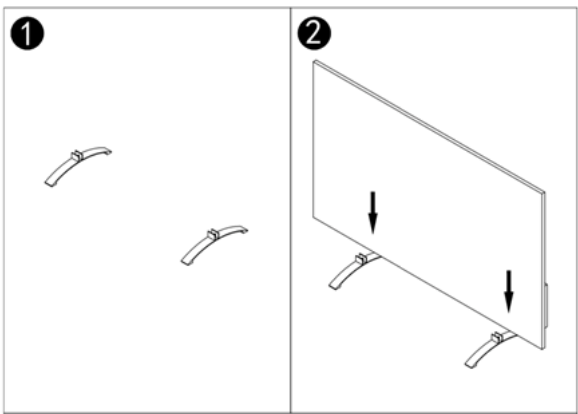


El calentador debe colocarse en una superficie horizontal, uniforme e ininterrumpida.

Los pies suministrados con el calentador deben usarse y proporcionar la distancia correcta entre el calentador y el piso y cualquier superficie posterior (como una pared o la parte posterior de un escritorio). El calentador debe estar al menos a 300 mm de los objetos colocados en el frente.

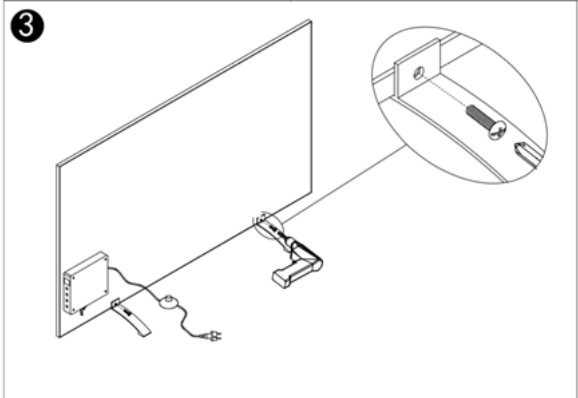
Distancia mínima de 300 mm a los objetos

Configuración



1. Busque los dos pies suministrados en el paquete.
2. Ajustelo al lado largo inferior del calentador. La caja de energía SMART-R en la parte posterior del panel debe estar en el borde inferior del calentador.
3. Utilice un destornillador para apretar los tornillos de fricción contra la superficie trasera del calentador. (Nota: apretar los tornillos contra el frente dañará la superficie frontal del calentador).

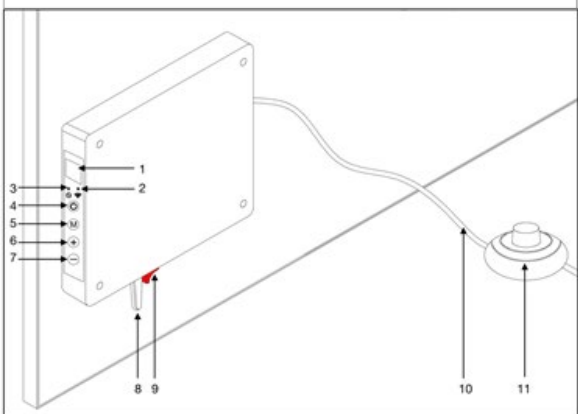
El calentador de escritorio Select XLS viene con un enchufe instalado de fábrica y se puede enchufar a un enchufe disponible debajo del escritorio.



El receptor SMART-R permite que su calefactor debajo de la mesa funcione de dos formas diferentes según sus preferencias:

- Puede actuar en un modo simple de "encendido / apagado" usando el control de pie;
- Puede conectarse a wifi y administrarse a través de la aplicación SmartLife.

Los controles del receptor SMART-R son los siguientes:



1. Pantalla LED que muestra la temperatura del punto de ajuste
2. Indicador wifi
3. Indicador de encendido / apagado del temporizador
4. Boton de encendido / apagado
5. Botón de emparejamiento manual
6. Aumento de temperatura manual
7. Disminución manual de la temperatura
8. Termostato incorporado. Tire suavemente hacia abajo para sentir la temperatura alrededor del calentador.
9. Interruptor de encendido (I = encendido, O = apagado)
10. Cable de red
11. Interruptor de pie.

Operación

El calentador se puede operar simplemente usando el interruptor de pie.

Aviso de ECODISEÑO:

Cuando se usa en este modo de funcionamiento simple, el calentador de escritorio Select solo debe usarse en espacios bien aislados para uso ocasional y no debe dejarse funcionando permanentemente encendido.

Operación

Para usar el calentador con el interruptor de pie:

Saque el termostato (8) suavemente desde la parte inferior de la caja SMART-R hasta que se detenga.

Encienda la toma de corriente.

Encienda el interruptor de encendido (9) (posición "I" en el interruptor basculante).

Haga clic en el interruptor de pie hasta que el interruptor de encendido (9) se ilumine en ROJO.

El calentador se calentará hasta que detecte que se alcanza la temperatura local de 37 ° C, momento en el que se apagará.

Puede bajar la temperatura establecida usando el botón - en el costado del receptor SMART-R. Solo puede subir la temperatura (usando el botón +) a 37 ° C.

Puede apagar y encender el calentador inmediatamente usando el interruptor de pie.

Control del calentador mediante la aplicación Smartlife

El calentador debajo del escritorio Select XLS se puede controlar de manera más completa con la aplicación SmartLife. Esto le permite establecer un horario de calefacción que incluye un modo AUSENTE (vacaciones) y habilita el control por voz a través de Alexa o el Asistente de Google. También puede operar el interruptor de pie para encender y apagar el calentador.

Aviso de ECODISEÑO:

Cuando se usa con la aplicación SmartLife, el calentador de escritorio Select XLS es totalmente compatible con ECODISEÑO y se puede configurar permanentemente y dejar encendido.

Descarga e instalación de la aplicación Smartlife

Escanee el código QR a continuación para descargar la aplicación Smartlife desde App Store o Google Play. Alternativamente, busque "Smart Life" en Google Play o App Store y busque este ícono.



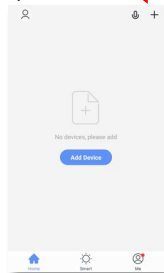
Después de instalar y abrir la aplicación Smartlife, debe registrar una cuenta con una dirección de correo electrónico y una contraseña y aceptar los términos de uso.

Antes de comenzar a emparejar, asegúrese de:

- Su teléfono móvil está conectado a la señal wifi de 2,4 GHz de su enrutador. Algunos enrutadores también emiten una señal de 5 GHz, así que asegúrese de seleccionar la opción de 2,4 GHz.
- Apague "Wifi Assist" (teléfonos iOS). Puede volver a encenderlo después del emparejamiento.
- Asegúrese de estar conectado a su enrutador principal y asegúrese de que su calentador esté dentro del alcance de su enrutador.

Emparejamiento

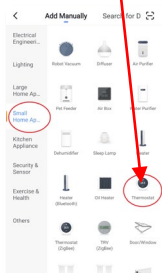
Toca "+" en la parte superior derecha de la aplicación



Si este es su primer termostato que está agregando, se le pedirá que ingrese su contraseña de Wifi.

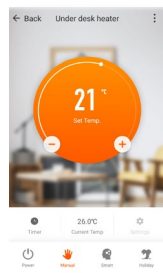
No tendrá que hacer esto cuando agregue termostatos posteriores a la aplicación.

Seleccione "Pequeños electrodomésticos" y luego "Termostatos"



Active el interruptor de encendido en el calentador y luego presione el interruptor de pie hasta que la luz de señal de encendido se encienda, el indicador de emparejamiento de Wi-Fi comenzará a parpadear rápidamente.

Siga las instrucciones de la aplicación para emparejar.



Si no pudo emparejar, haga clic en "Reintentar" en la aplicación SmartLife. Mantenga presionado el botón "M" (5) en la caja de control para restablecer el modo de emparejamiento del calentador, siguiendo las instrucciones de la aplicación SmartLife.

En situaciones en las que hay varias conexiones wifi disponibles y el calentador no logra encontrar la conexión del enrutador correcta, le recomendamos que pruebe el modo de emparejamiento alternativo que ofrece la aplicación SmartLife. Esta es una opción que ofrece la aplicación si falla el modo de emparejamiento normal.

Hay ayuda más detallada disponible en línea a través de la sección Ayuda y soporte de su sitio web local de Herschel.

Operaciones disponibles en la aplicación SmartLife

Desde la pantalla principal de la aplicación Smartlife, puede acceder a las siguientes funciones de administración para el calentador, que se describen con más detalle en la siguiente página:

- Encendido / apagado (enciende y apaga el calentador)
- Anulación de temperatura (círculo naranja con botones + y -)
- Manual de operación
- Operación "inteligente" (modo de programa)
- Modo vacaciones
- Ajustes
- Temporizador

Cambio de red / deshabilitación de Wifi

Puede mover el calentador a una nueva red si es necesario. Tendrá que volver a sincronizar con la aplicación SmartLife.

También puede desactivar y reactivar Wifi y volver al control de interruptor de pie simple. Mantenga presionado el botón "-" en el receptor durante 10 segundos para desactivar (el LED azul de Wifi se apaga) y reactivar el wifi (el LED azul vuelve a encenderse).

Explicación de los modos de funcionamiento

Modo inteligente

Su calentador debajo del escritorio Herschel Select XLS funciona de manera más eficiente cuando está configurado para ejecutarse con un programa controlado por la aplicación SmartLife. Este programa siempre garantizará que su calentador alcance la temperatura que desea a la hora que lo desee, todos los días de la semana. Esto está representado por la función "Inteligente" en la aplicación. Por lo general, querrá configurar y hacer funcionar el calentador en modo inteligente. Para habilitar el modo inteligente, toque el icono "Inteligente" en la pantalla principal de la aplicación y modifique la configuración del programa en "Configuración".

Modo manual

Seleccionar el modo Manual le permite establecer y mantener una temperatura constante que no varía con la hora del día. Una vez que establezca una temperatura usando el modo Manual, el calentador debajo del escritorio mantendrá esta temperatura hasta que le dé otro comando. Seleccione el modo manual tocando el icono "Manual" en la pantalla principal de la aplicación y modifique la temperatura hacia arriba o hacia abajo con los botones + y -.

Anular

Siempre puede anular las temperaturas programadas o manuales para que sean más altas o más bajas usando las teclas + o - en la pantalla principal de la aplicación para cambiar la temperatura. Cuando funciona en modo inteligente, el calentador mantendrá la temperatura de anulación hasta el siguiente período programado (cuando se establecerá la siguiente temperatura programada). En el modo Manual, la temperatura de anulación permanecerá configurada hasta que la cambie nuevamente manualmente.

Modo vacaciones

También hay un modo de vacaciones que le permite ahorrar energía estableciendo una temperatura más baja mientras está fuera. El modo de vacaciones tiene una función de contador de días que le permite establecer el número de días que está fuera y devolver la calefacción al funcionamiento normal antes de su regreso.

Seleccione el modo de vacaciones tocando el icono "Vacaciones" en la pantalla principal de la aplicación. Seleccione Días de ausencia con el control deslizante y configure la temperatura de las vacaciones con los botones + o -. Recomendamos finalizar el modo de vacaciones al menos un día antes de su regreso para permitir que su casa se vuelva a calentar.

Ajustes

La "Configuración" de la aplicación le permite cambiar los horarios y las temperaturas del programa del modo inteligente.

Temporizador

Una función de temporizador está disponible en incrementos de 24 x 1 hora. Esto enciende el calentador durante el número especificado de horas. El calentador solo calentará a la temperatura de punto de ajuste.

Detalles del dispositivo

Puede modificar otros detalles sobre su calentador debajo del escritorio, incluida la habilitación de Alexa o el Asistente de Google o compartir el control de su dispositivo con otros miembros de su familia tocando el icono de lápiz en la parte superior derecha de la pantalla principal de la aplicación.

Si comienza a usar SmartLife para controlar otros dispositivos de automatización del hogar, también puede integrar el control de su calentador con otras tareas de automatización del hogar que configure en SmartLife desde la pantalla Detalles del dispositivo.

NOTA:

Cuando reinicie el calentador después de haber estado apagado durante un período de tiempo, dé tiempo al calentador para que se vuelva a conectar con su enrutador antes de operar a través de la aplicación. A veces, esto puede tardar unos minutos.

Limpieza y mantenimiento

ESPAÑOL



General

Tenga en cuenta que es posible que el calentador se decolore con el uso; esto se debe a la contaminación del aire y no es una falla.

El calentador está diseñado para durar muchos años e incorpora varias características de seguridad, pero si el calentador no se ha utilizado o instalado de acuerdo con estas instrucciones, emite algún ruido, olor o muestra una rápida decoloración de la superficie, deje de usar el calentador y consulte al Servicio de atención al cliente de Herschel o a su distribuidor local de Herschel.

El panel Herschel debe instalarse, desinstalarse, limpiarse o transportarse solo cuando esté frío.



Cuadro

El calentador de escritorio Select XLS Under se puede pintar para combinar con la decoración con una pintura adecuada resistente al calor. Sin embargo, Herschel no será responsable si la pintura se deteriora o decolora. Cualquier derecho a devolver el calentador para obtener un reembolso dentro de los períodos legales se anulará cuando se haya pintado el calentador. Pintar el panel no afectará su garantía de reparación o reemplazo.



Limpieza

Antes de intentar limpiar el panel, desenchufe el calentador, aíse la unidad del suministro eléctrico y deje que se enfríe por completo.

NO sumerja el calentador de panel Herschel en agua ni salpique agua sobre él.

Limpiar el calentador con un paño húmedo. Para los modelos de vidrio se puede utilizar un limpiacristales. Nunca use un paño húmedo. Cuando esté limpio, seque las superficies con un paño seco.

NO aplique materiales abrasivos, solventes o toallitas solventes a la superficie ya que esto puede causar daños irreparables. Espere hasta que la unidad esté completamente seca antes de usarla.



Reparar

NO intente reparar ni ajustar ninguna función eléctrica o mecánica de esta unidad, ya que anulará la garantía. Las reparaciones solo deben ser realizadas por Herschel o un socio de servicio autorizado de Herschel.



Disposición

El calentador es un producto eléctrico y no debe desecharse con la basura doméstica. Se puede reciclar un alto porcentaje del calentador. Trátelo como desperdicio eléctrico y recicle de acuerdo con las normativas locales.

Aviso al comprador

Antes de usar este producto, debe determinar su idoneidad para el uso previsto. Herschel Infrared Ltd no puede aceptar responsabilidad por daños, pérdidas o lesiones causadas por la entrada de agua o humedad, daños accidentales, mal manejo, impacto externo, ajuste por personal no autorizado o no seguir las precauciones de seguridad y mantenimiento correctas como se indica en este manual. Consulte la política de garantía de Herschel Infrared Ltd para obtener todos los detalles. Consulte <https://www.herschel-infrarrojo.es/>.

El producto cumple con los estándares de seguridad europeos Directiva de bajo voltaje 2014/35 / EC, Directiva EMC 2014/30 / EC, RoHS 2011/65 / EC y requisitos de diseño ecológico para calefactores locales 2009/125 / EC.

Instrucciones originales que cubren los calentadores de escritorio Select fabricados a partir de 08/2020 en adelante

270622

