

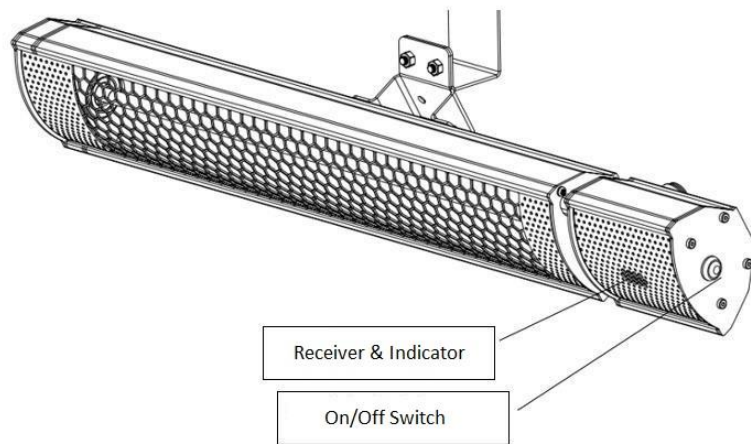






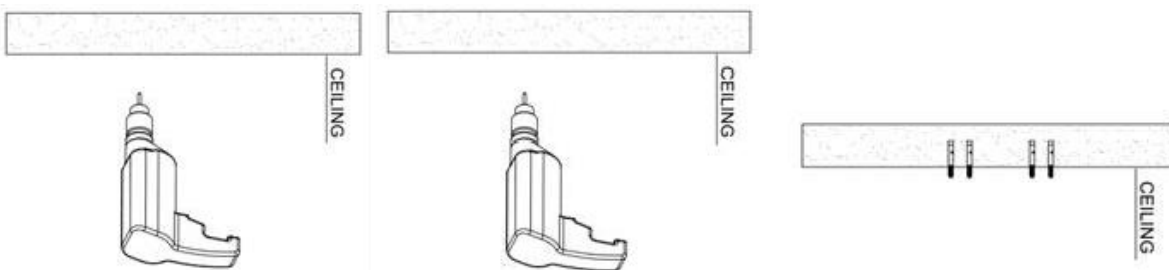


## ASSEMBLY INSTRUCTIONS



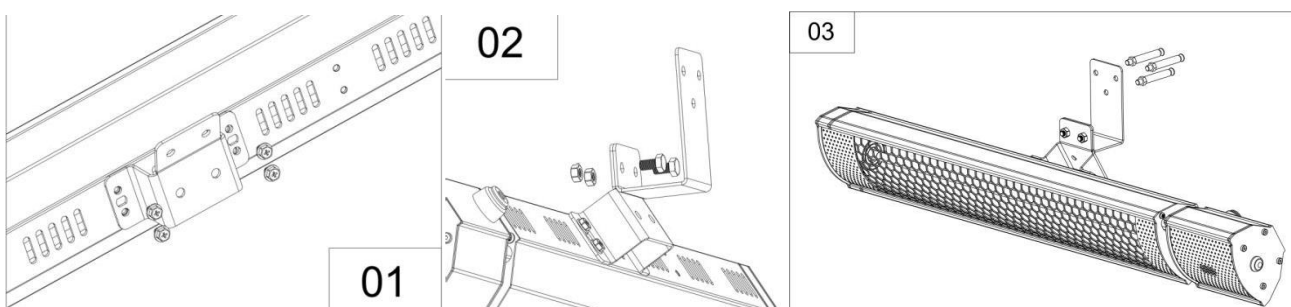
### Tools Needed:

**Pencil, hammer, spirit level, screwdriver, power drill and drill bits.**



A wall mounting bracket is provided with the heater, which has been specifically designed to allow this product to be attached to a wall or ceiling. Before drilling the holes for the wall or ceiling mount, check that the surface is solid and that there are no hidden water pipes or electric wires. The heater must be installed no less than 40cm from any side walls and no less than 180cm from the floor.

**Important:** Ensure that the supply cable is well secured and that it does not come into contact with the reflector of the heater or trail into the heated area of the appliance. The supply cable can be fixed securely to the metal mounting bracket behind the heater with plastic zip ties.

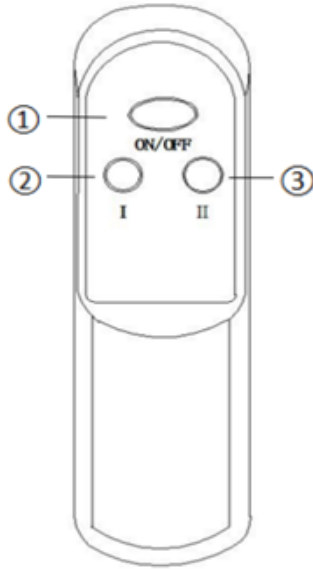






## FUNCTION & OPERATION

1. Plug the unit into a plug socket. Ensure the power supply is suitable for the appliance.
2. Press the power button on the right side of the heater.
3. Turn the heater on manually or by using the remote control.
4. Use the up and down buttons to set the desired heat output level.



Remote Control Functions & Heater LED Response		
Button	Function (Heater Power ON /OFF)	Heater LED Display
1	Turn Heater ON/OFF	
2	Change to Level 1	L1
3	Change to Level 2	L2